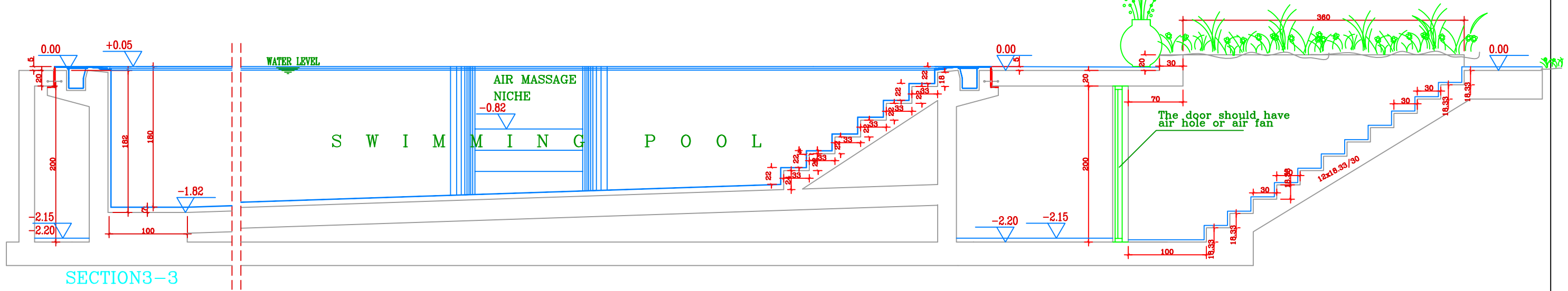
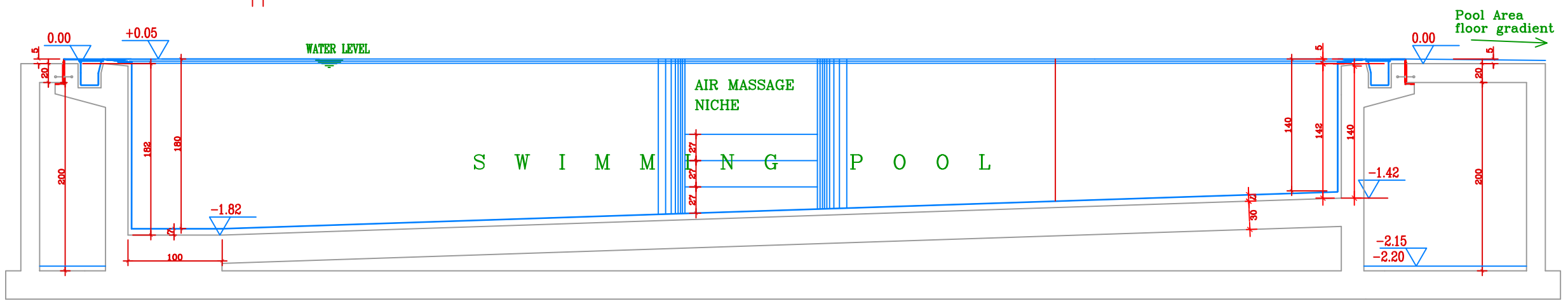


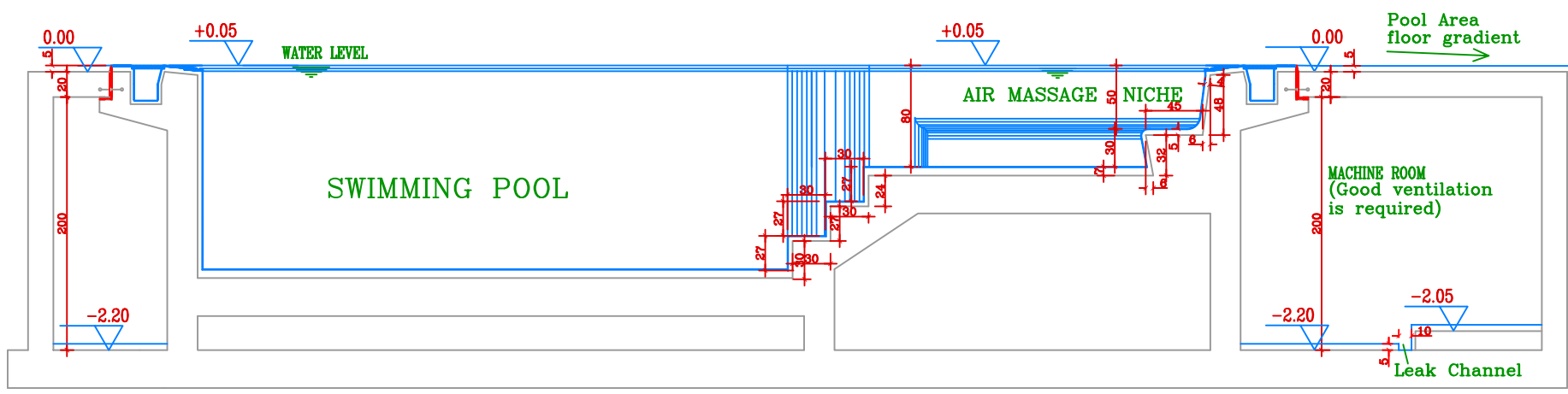
SECTION 1-1



SECTION 3-3

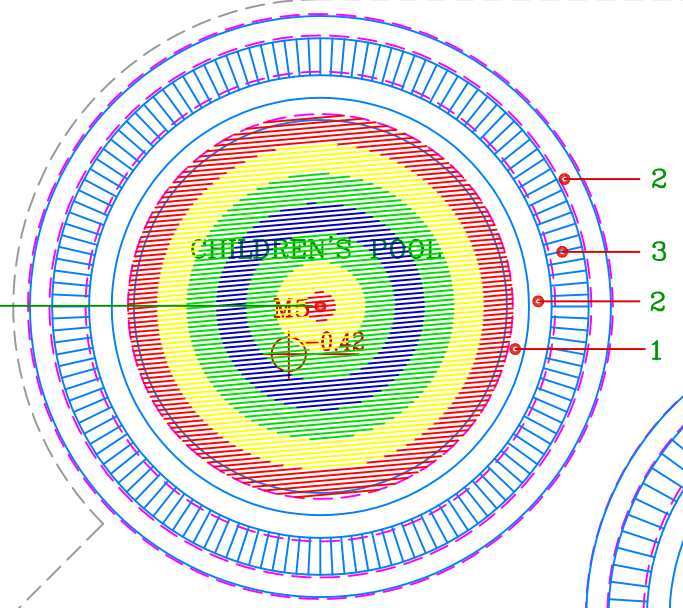


SECTION 4-4

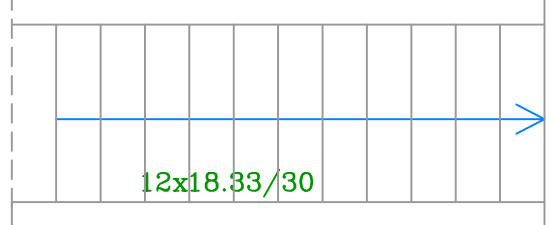


SECTION 2-2

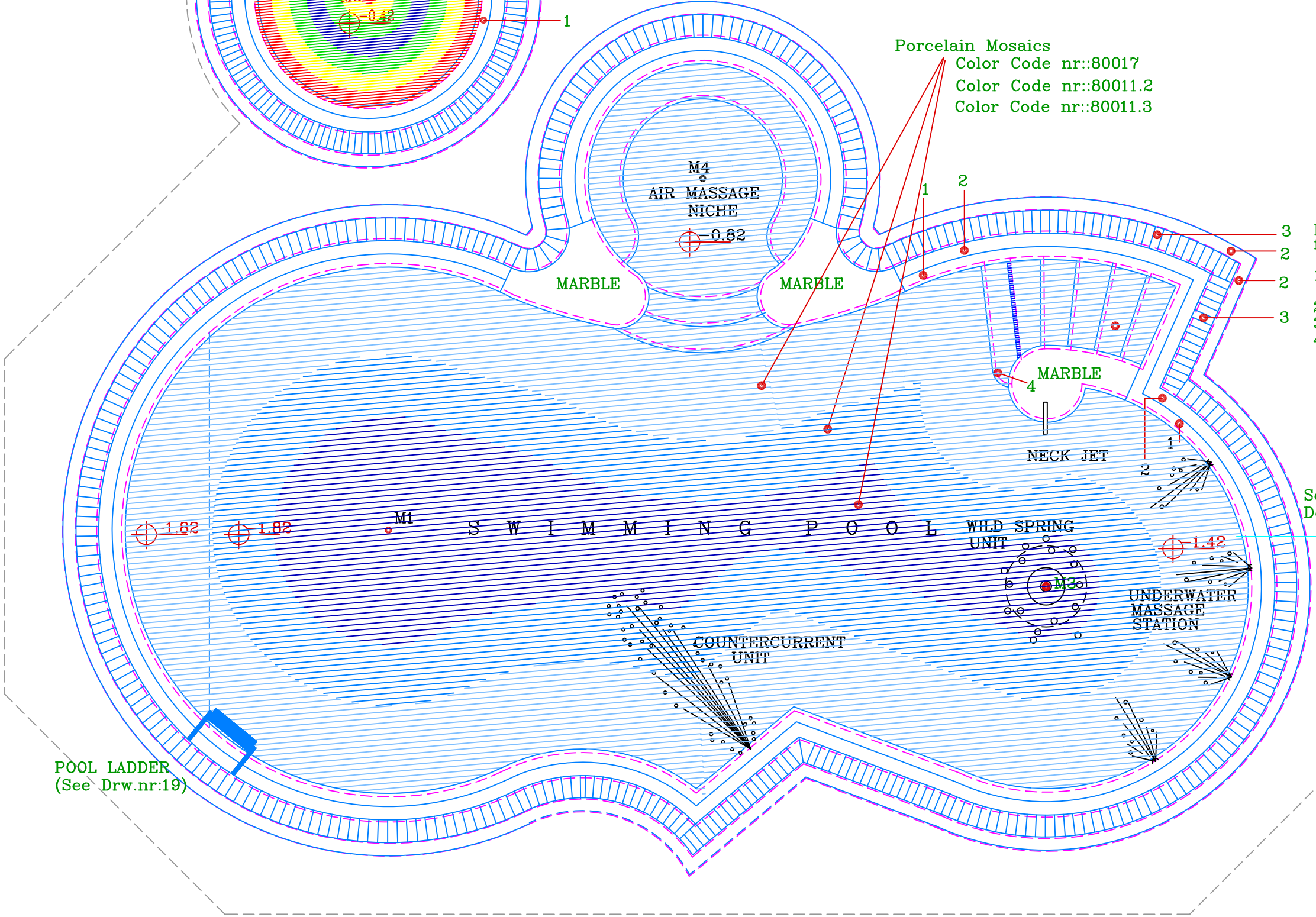
Color Code nr::80055.1  
 Color Code nr::80056  
 Color Code nr::80052.2  
 Color Code nr::80051.1



Porcelain Mosaics  
 Color Code nr::80017  
 Color Code nr::80011.2  
 Color Code nr::80011.3



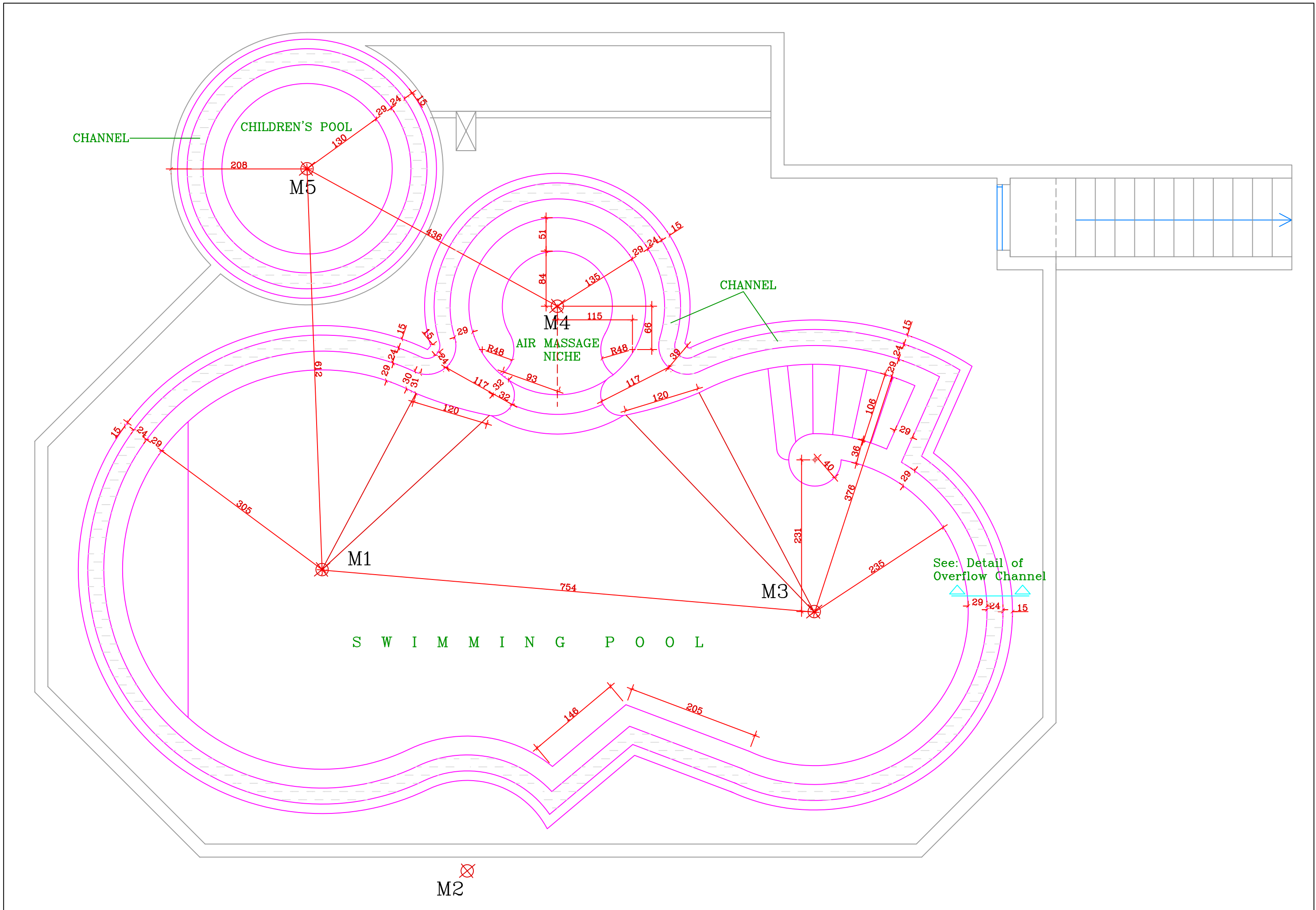
- 3 Mosaics, Handles, & Antislips from "Sera Pool"
- 2
- 2 1:15207-RIDGED HANDLES-Petit carre (Cobalt blue)
- 3 2:29200-PETIT CARRE ANTISLIP
- 3 3:E12147- ABS GRATINGS
- 4:60297- CONVEX ANGLE 90° (Cobalt blue)

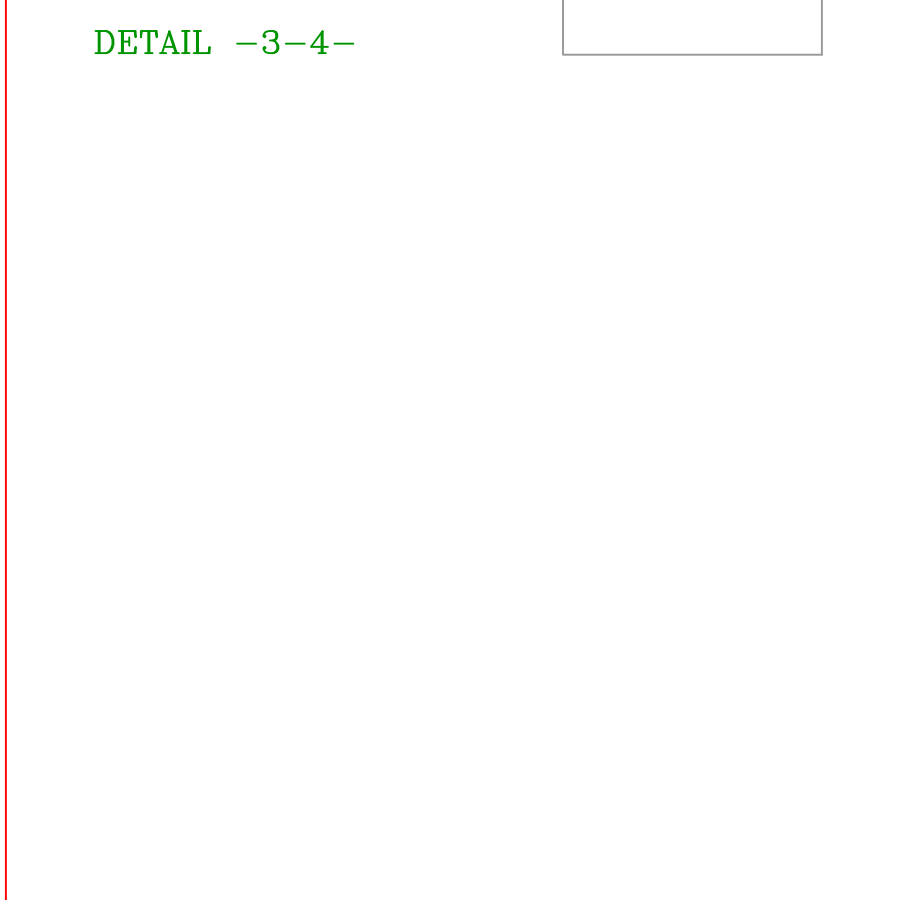
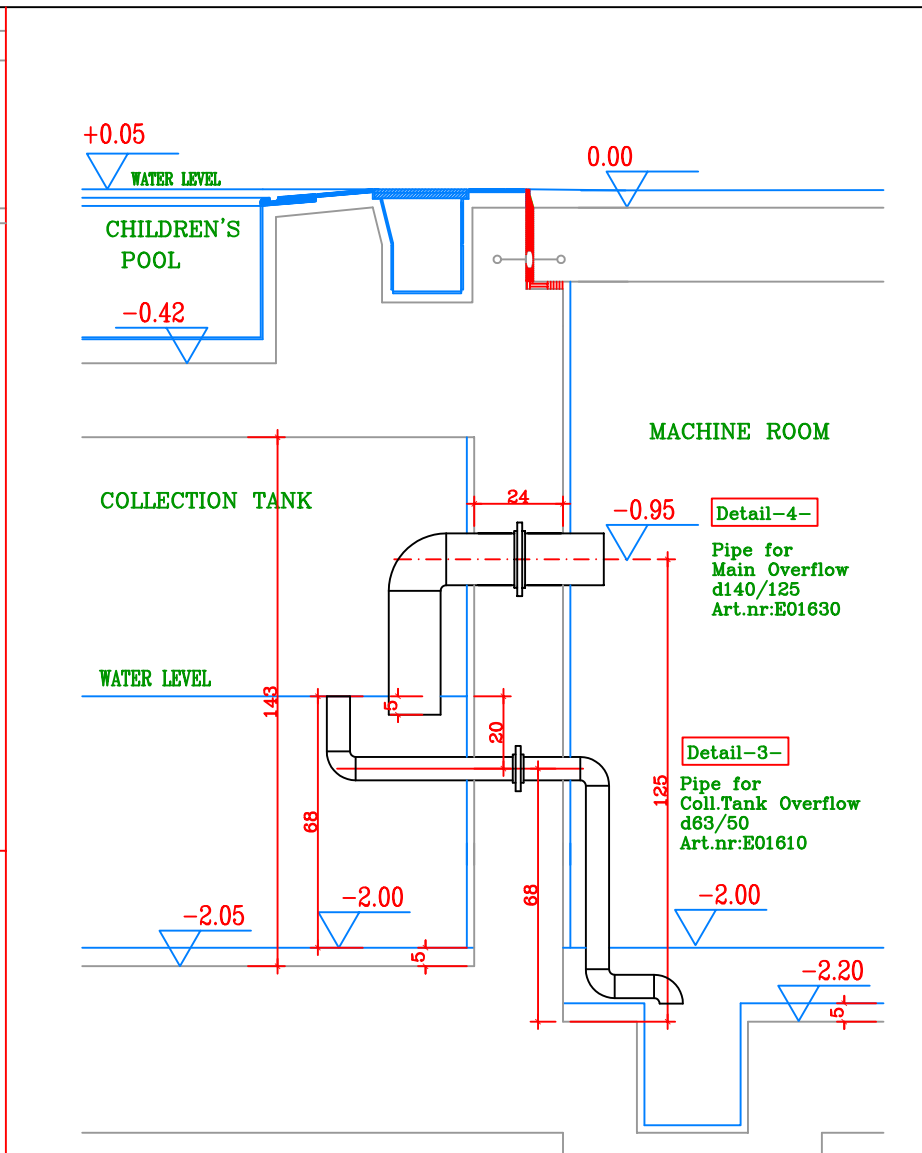
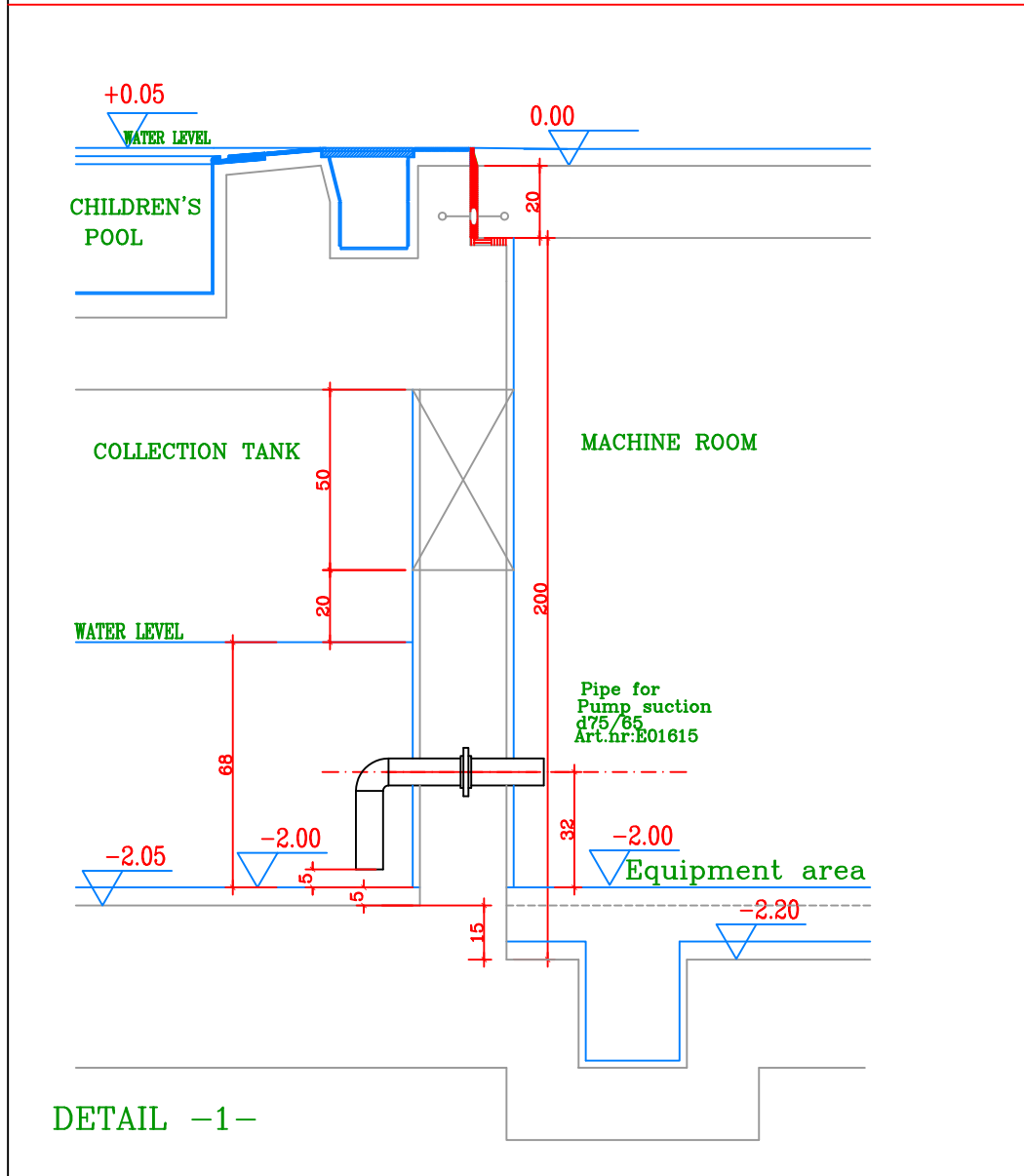
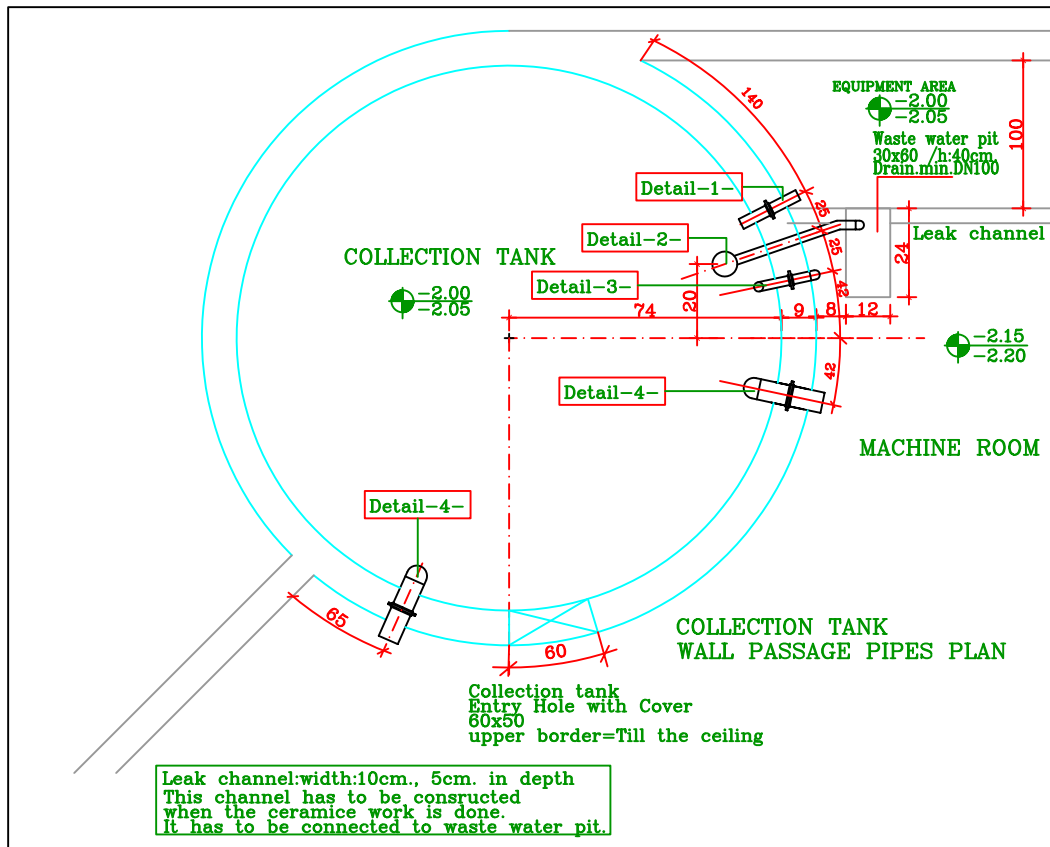


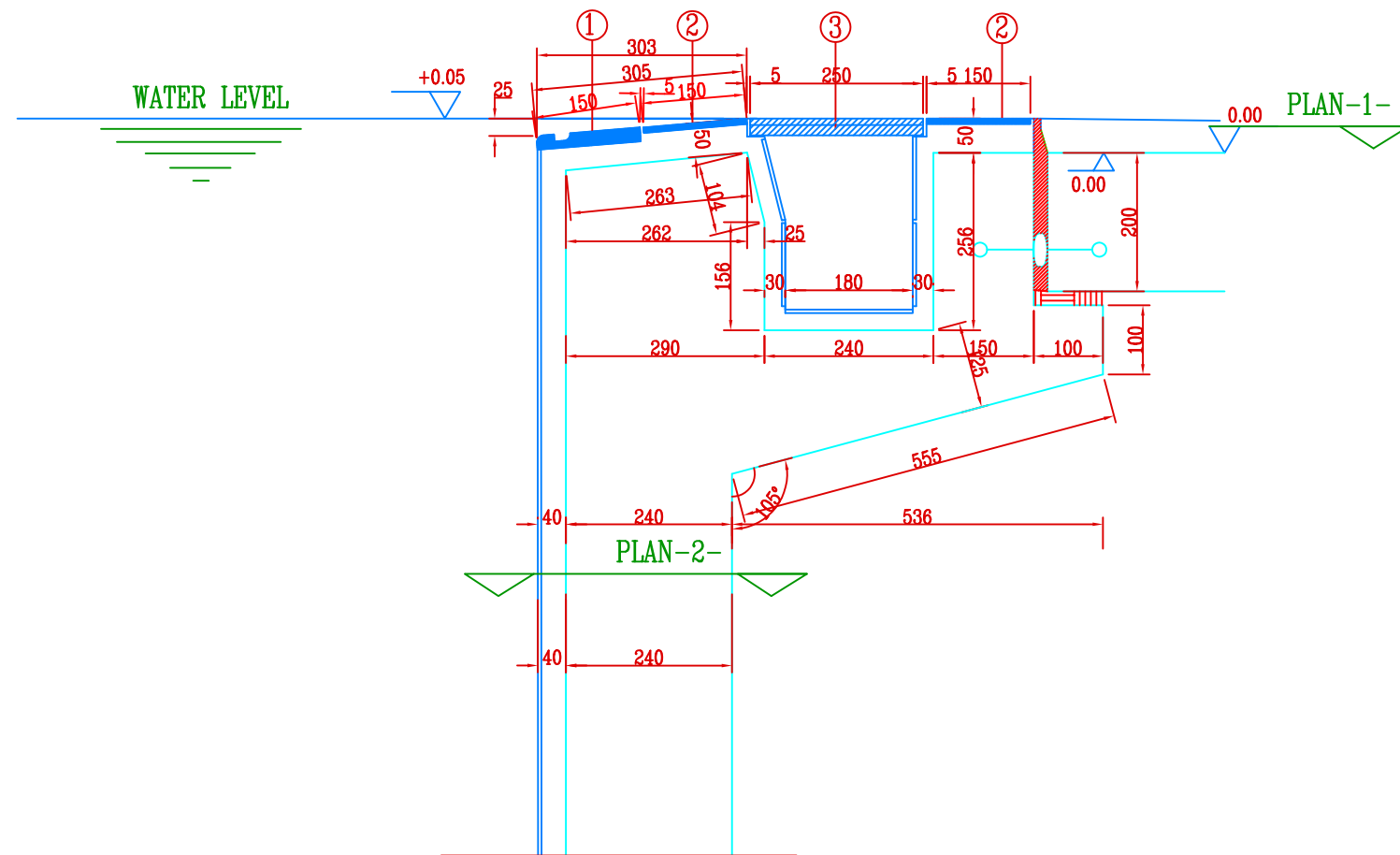
See:  
 Detail of Overflow Channel

M2









Mosaics, Handles & Antislips  
from "Sera Pool"

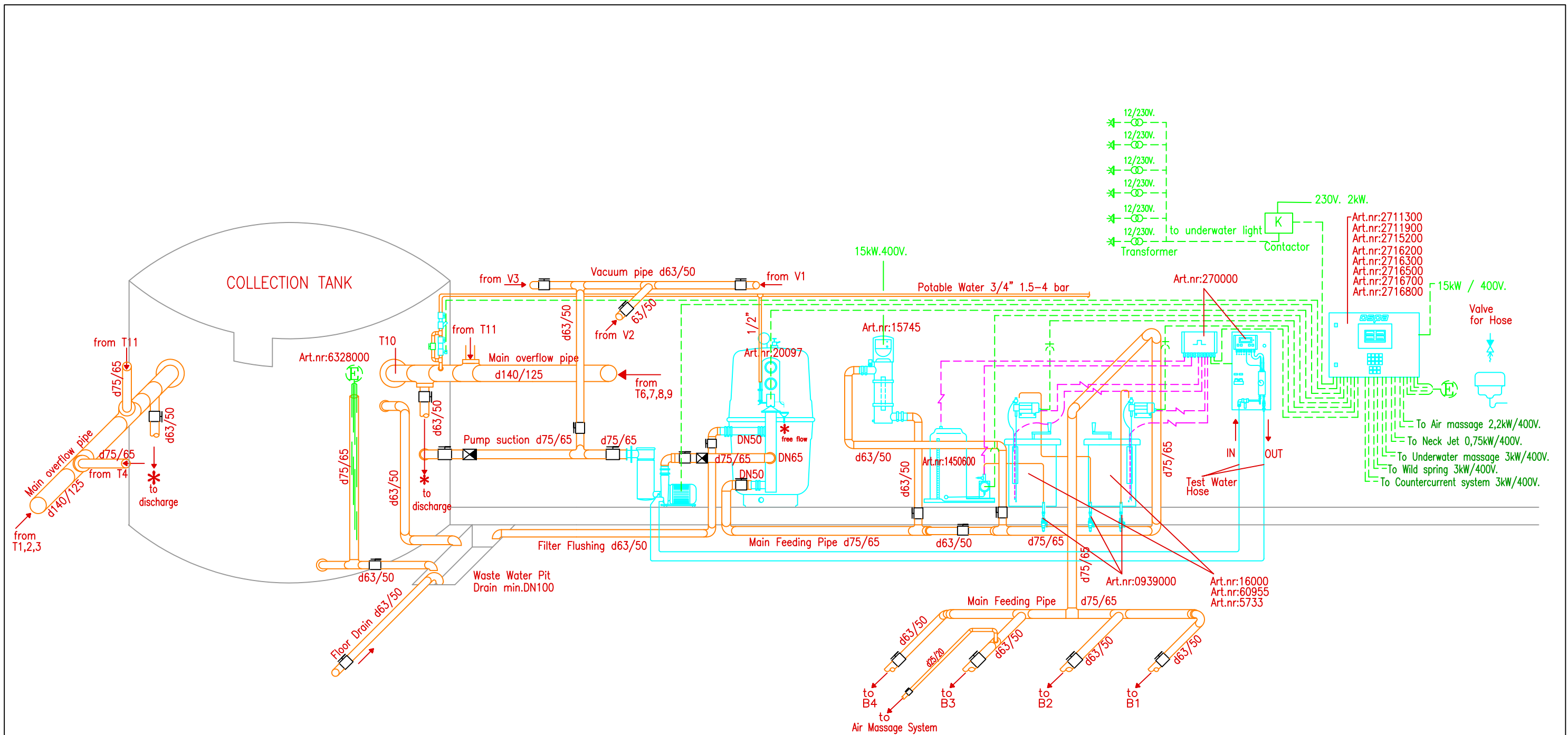
- 1-Material nr:15207
- 2-Material nr:29200
- 3-Material nr: Grating 00028.1

Insulation materials were chosen  
from Company of "Sika" as sample.

- Concrete Plastokret N
- Sika Latex Emul
- Plaster supplement: Sika 1
- Isolation: Sika Topseal 107
- Ceramics glue
- Ceramics
- ( Corner filling material: Plastikol Silikon)

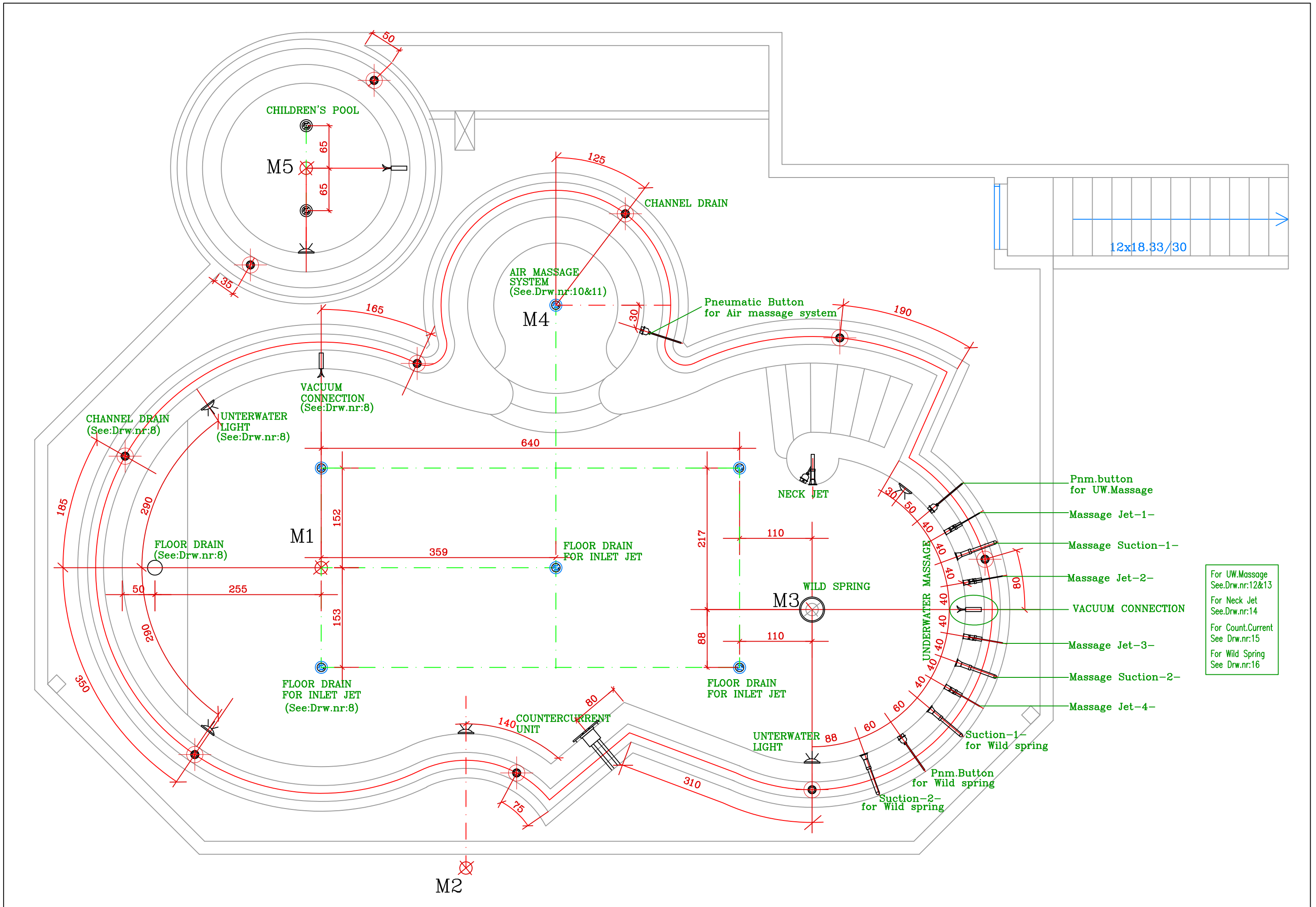
Please refer to Sika product catalog  
for application and quantity.  
If concrete of Pool bottom is not  
completed at once, Joints bands must  
be established between the concrete  
blocks.



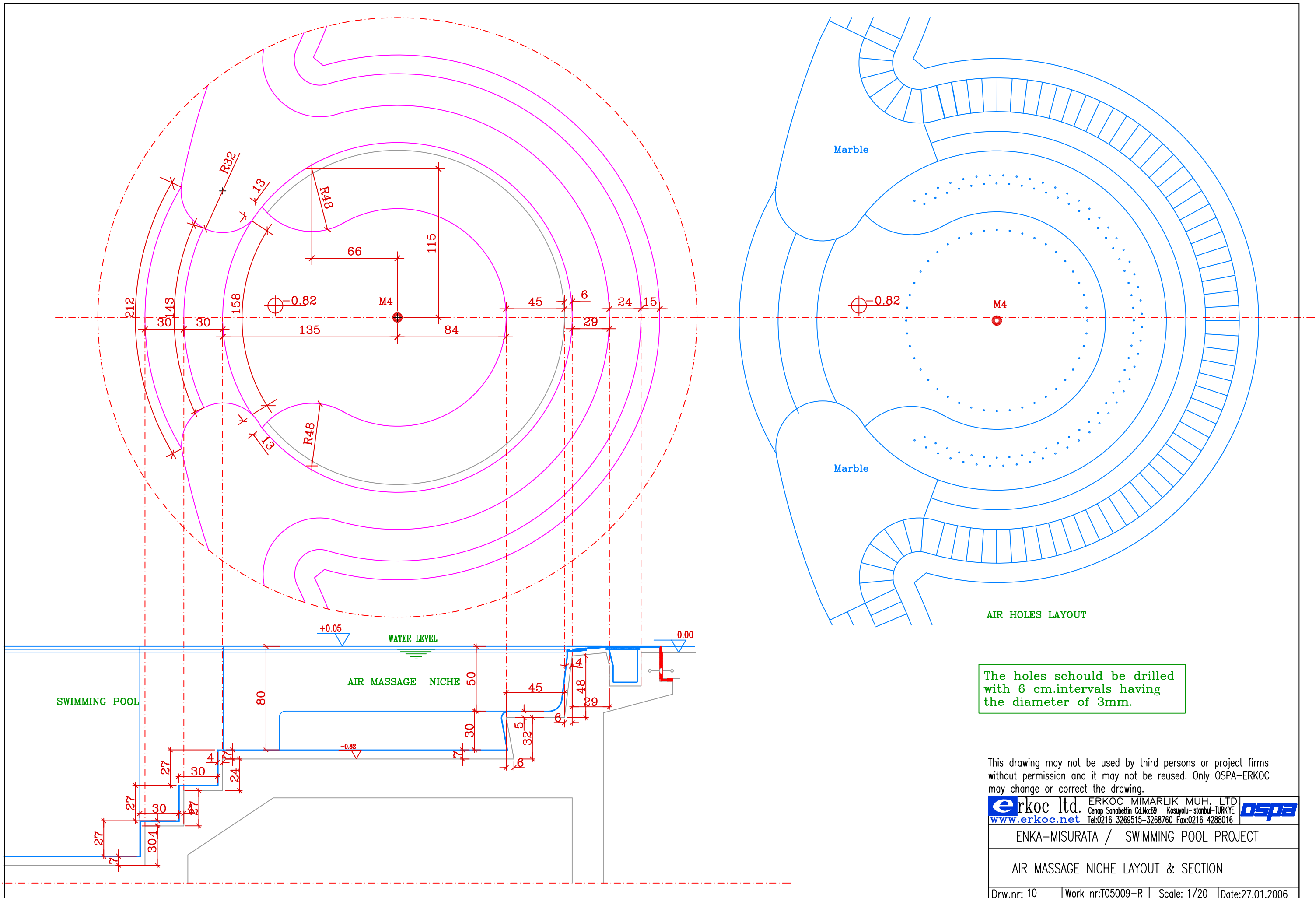


**ATTENTION !**

- ALLE PIPES MUST BE EMPTIED
- MAIN OVERFLOW PIPES -HPVC- 6 BAR-
- POTABLE WATER LINE -PP 20 BAR
- TEST WATER LINE -PE HOSE / HPVC PIPE 4 BAR
- OTHER PIPES -HPVC 10 BAR
- PVC BALL VALVES < d 90/80 3" min. 10 BAR
- PVC BUTTERFLY VALVES >d 110/100 4" min. 6 BAR



- For UW.Message  
See.Drw.nr:12&13
- For Neck Jet  
See.Drw.nr:14
- For Count.Current  
See.Drw.nr:15
- For Wild Spring  
See.Drw.nr:16



AIR HOLES LAYOUT

The holes should be drilled with 6 cm.intervals having the diameter of 3mm.

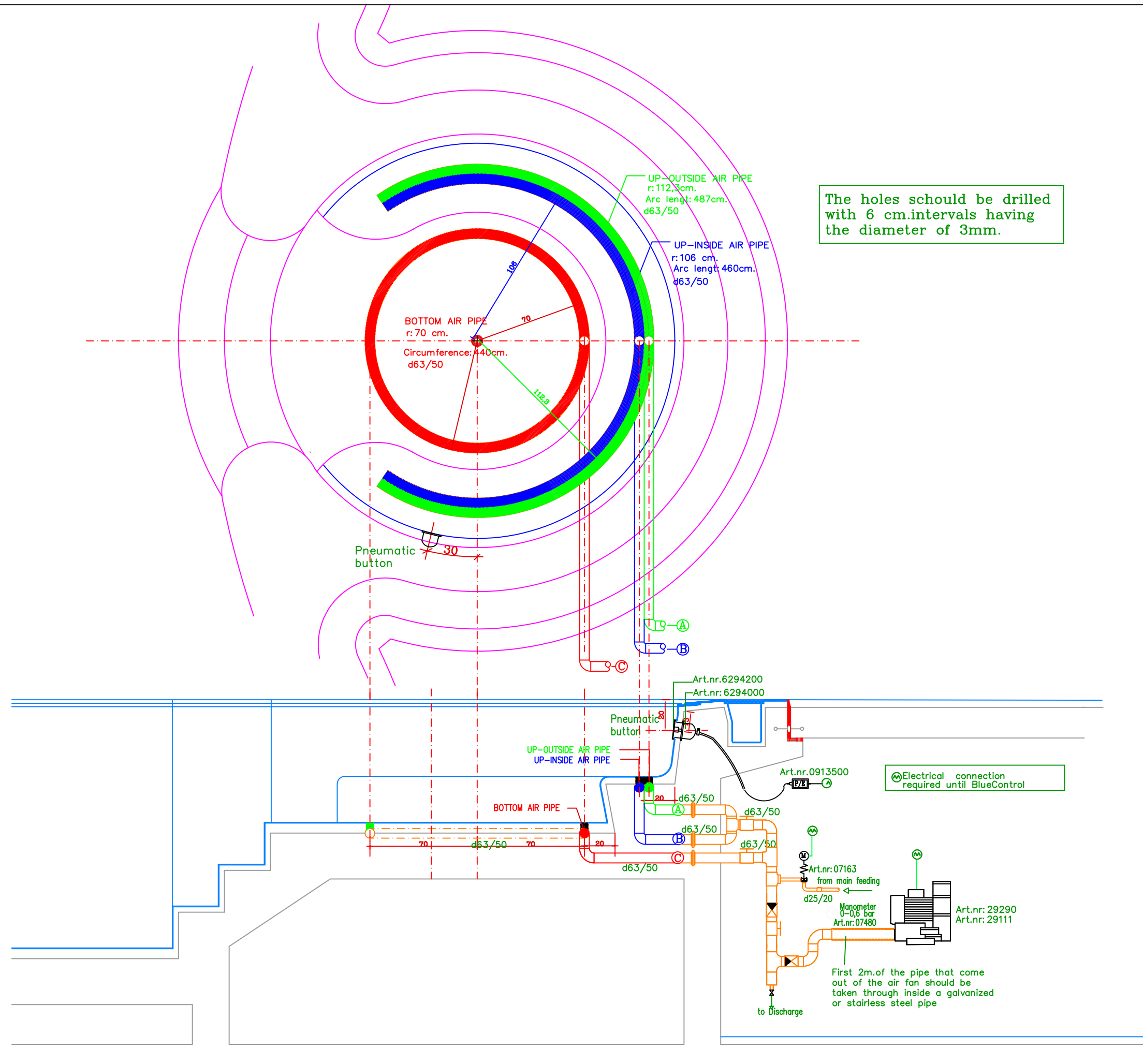
This drawing may not be used by third persons or project firms without permission and it may not be reused. Only OSPA-ERKOC may change or correct the drawing.

**erkoc ltd.** ERKOC MIMARLIK MUH. LTD.  
 Cenap Sahabettin Cd.No:69 Kosuyolu-Istanbul-TURKIYE  
 Tel:0216 3269515-3268760 Fax:0216 4288016 **ospa**

ENKA-MISURATA / SWIMMING POOL PROJECT

AIR MASSAGE NICHE LAYOUT & SECTION

Drw.nr: 10 | Work nr:T05009-R | Scale: 1/20 | Date:27.01.2006



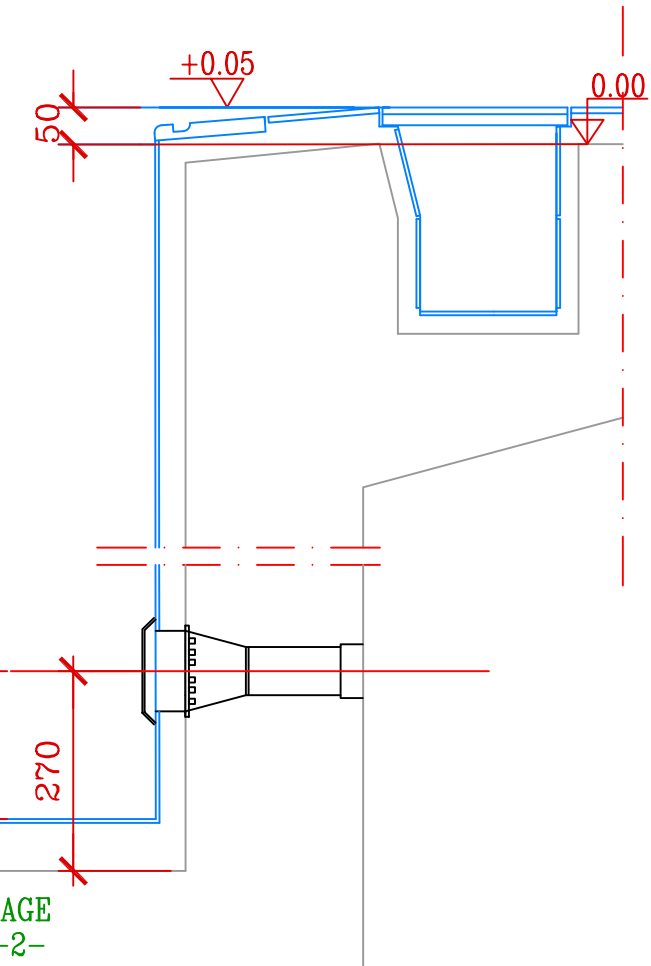
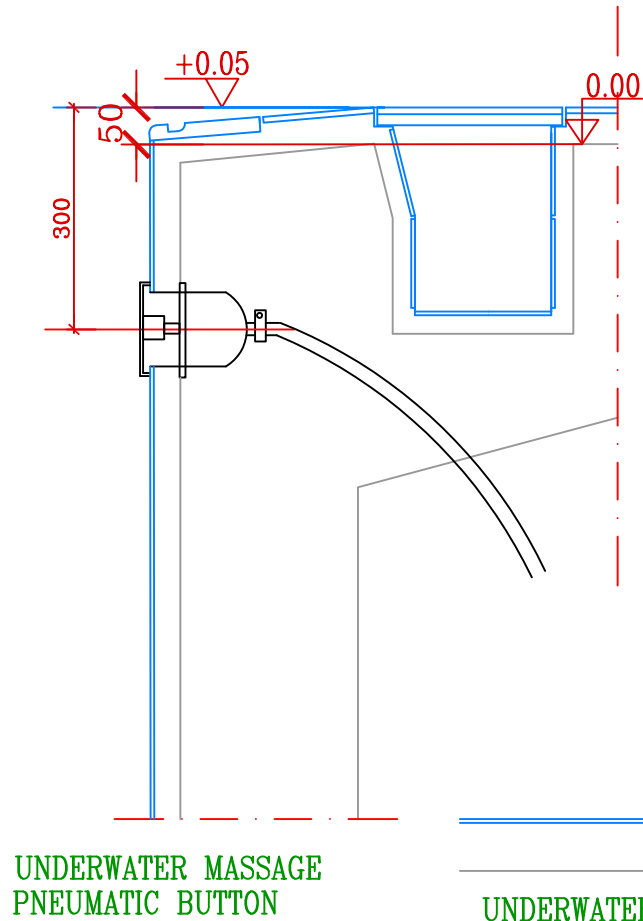
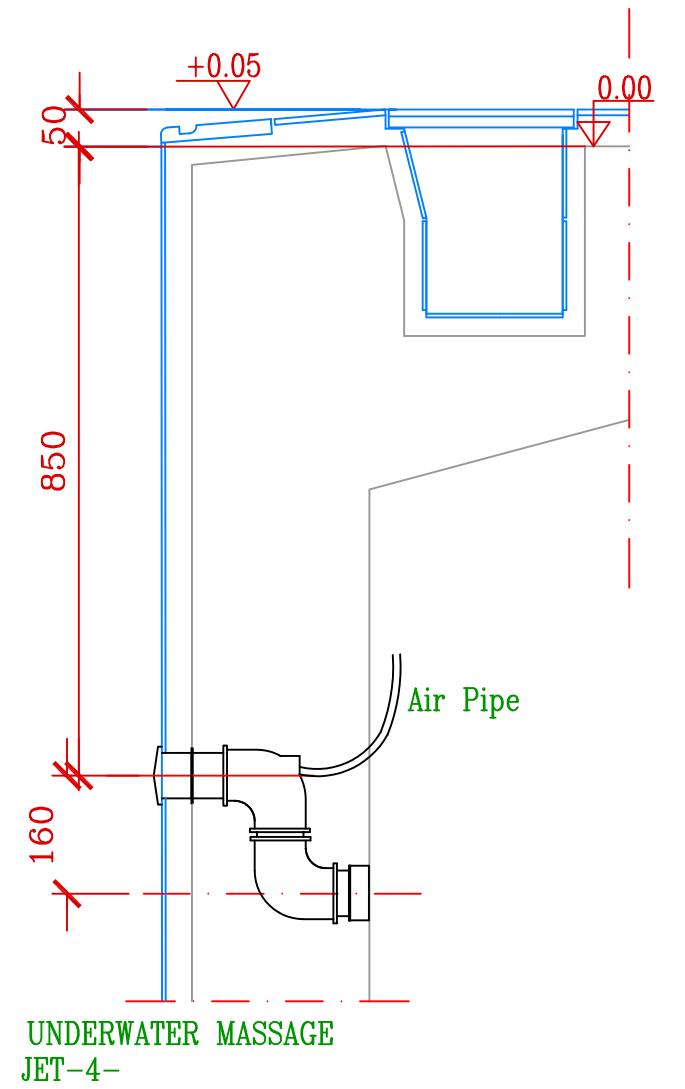
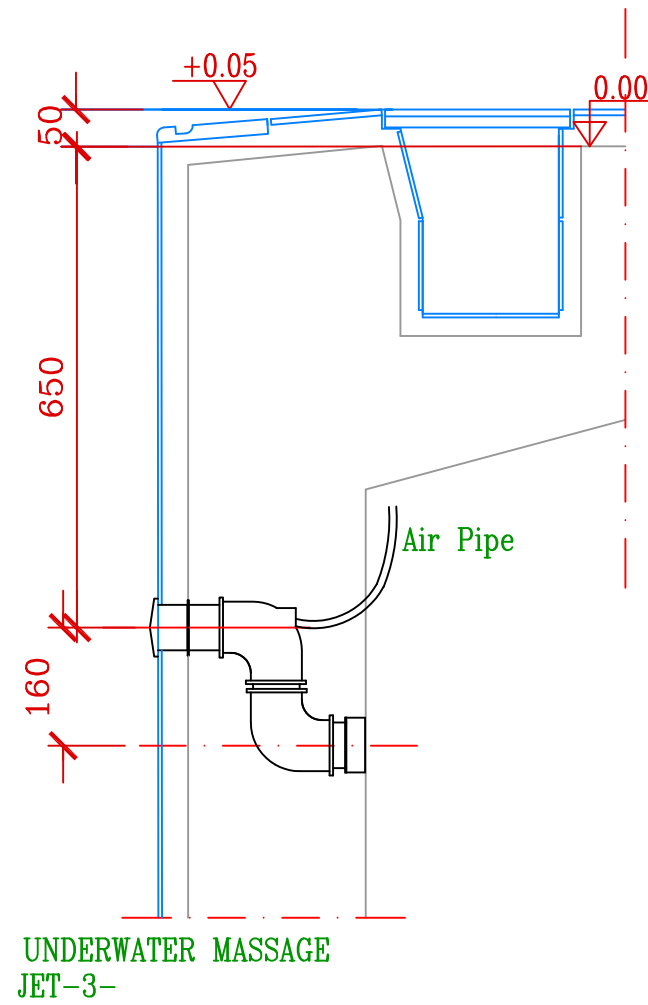
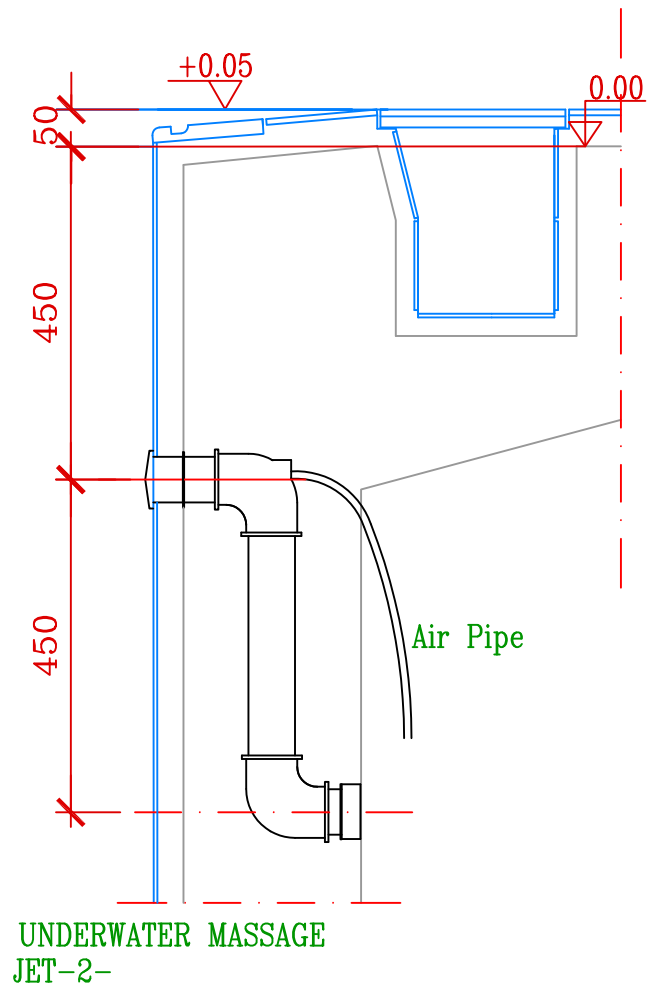
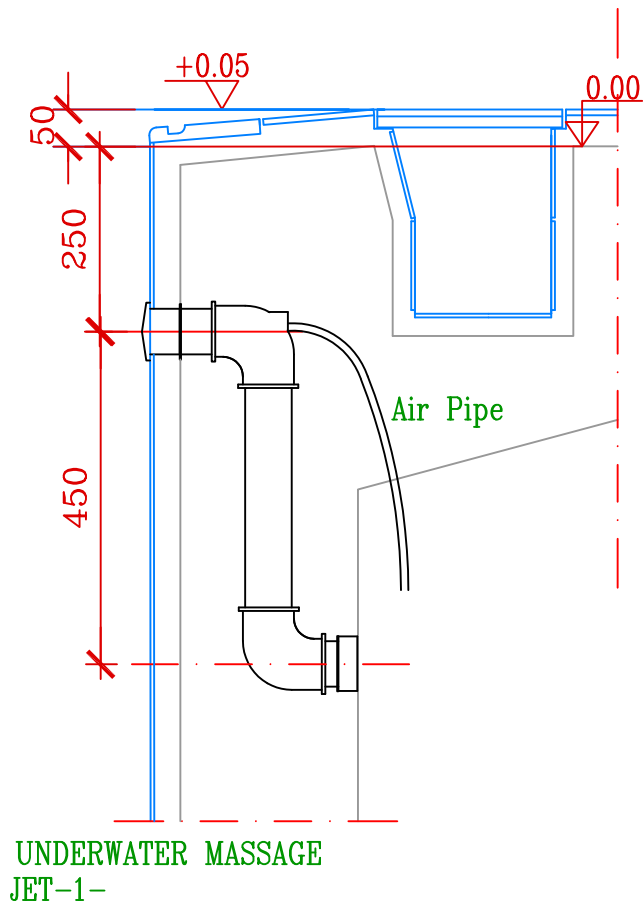
The holes should be drilled with 6 cm.intervals having the diameter of 3mm.

Electrical connection required until BlueControl

This drawing may not be used by third persons or project firms without permission and it may not be reused. Only OSPA-ERKOC may change or correct the drawing.

**erkoc ltd.** ERKOC MIMARLIK MUH. LTD  
 Cenap Sahabettin Cd.No:69 Kosuyolu-Istanbul-TURKIYE **ospa**  
 Tel:0216 3269515-3268760 Fax:0216 4288016

ENKA-MISURATA / SWIMMING POOL PROJECT  
 AIR MASSAGE SYSTEM  
 INSTALLATION LAYOUT & SECTION  
 Drw.nr: 11 | Work nr:T05009-R | Scale: 1/20 | Date:27.01.2006



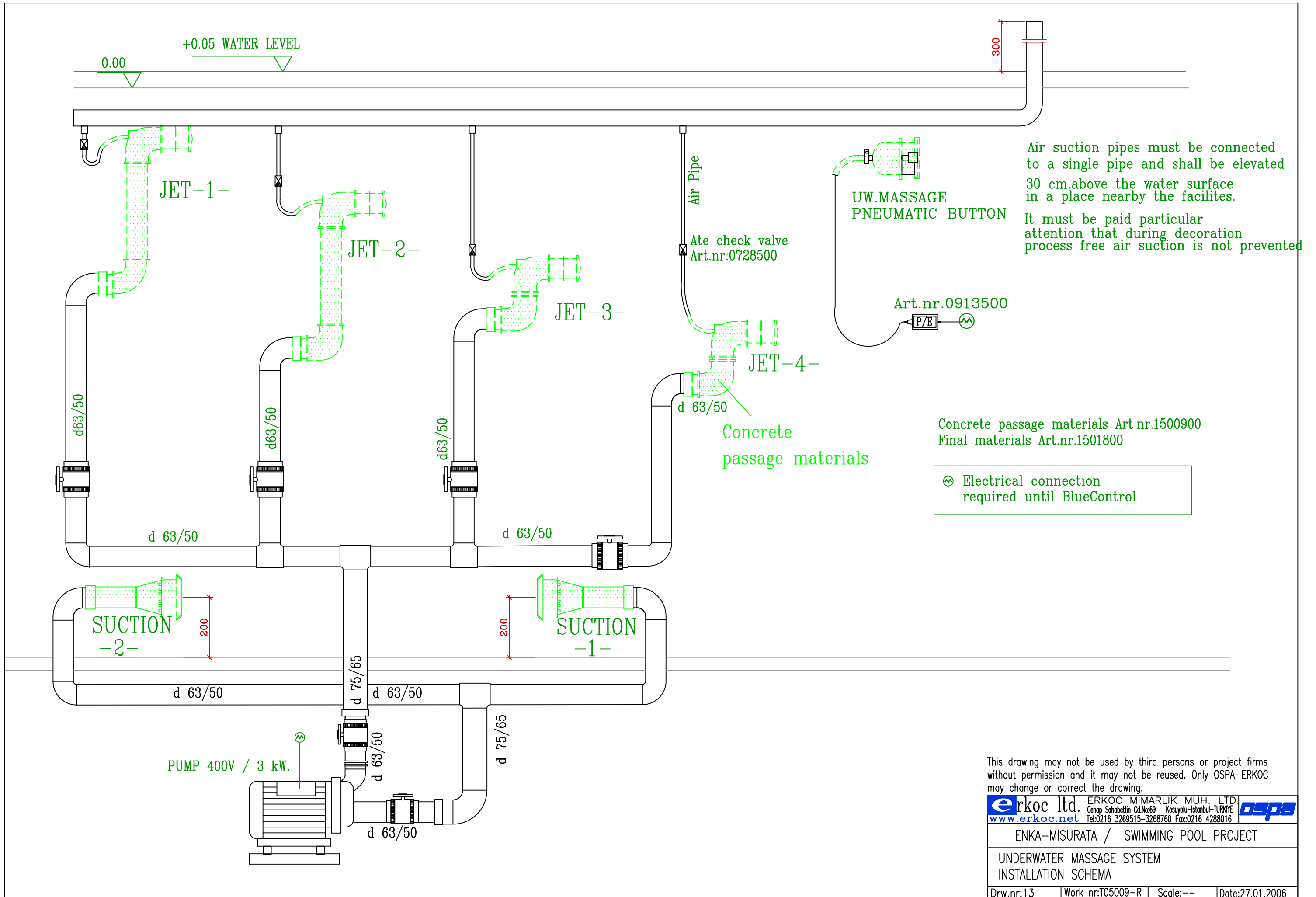
This drawing may not be used by third persons or project firms without permission and it may not be reused. Only OSPA-ERKOC may change or correct the drawing.

**erkoc ltd.** ERKOC MIMARLIK MUH. LTD.  
 Cenap Sahabettin Cd.No:69 Kosuyolu-Istanbul-TURKIYE  
 www.erkoc.net Tel:0216 3269515-3268760 Fax:0216 4288016 **ospa**

ENKA-MISURATA / SWIMMING POOL PROJECT

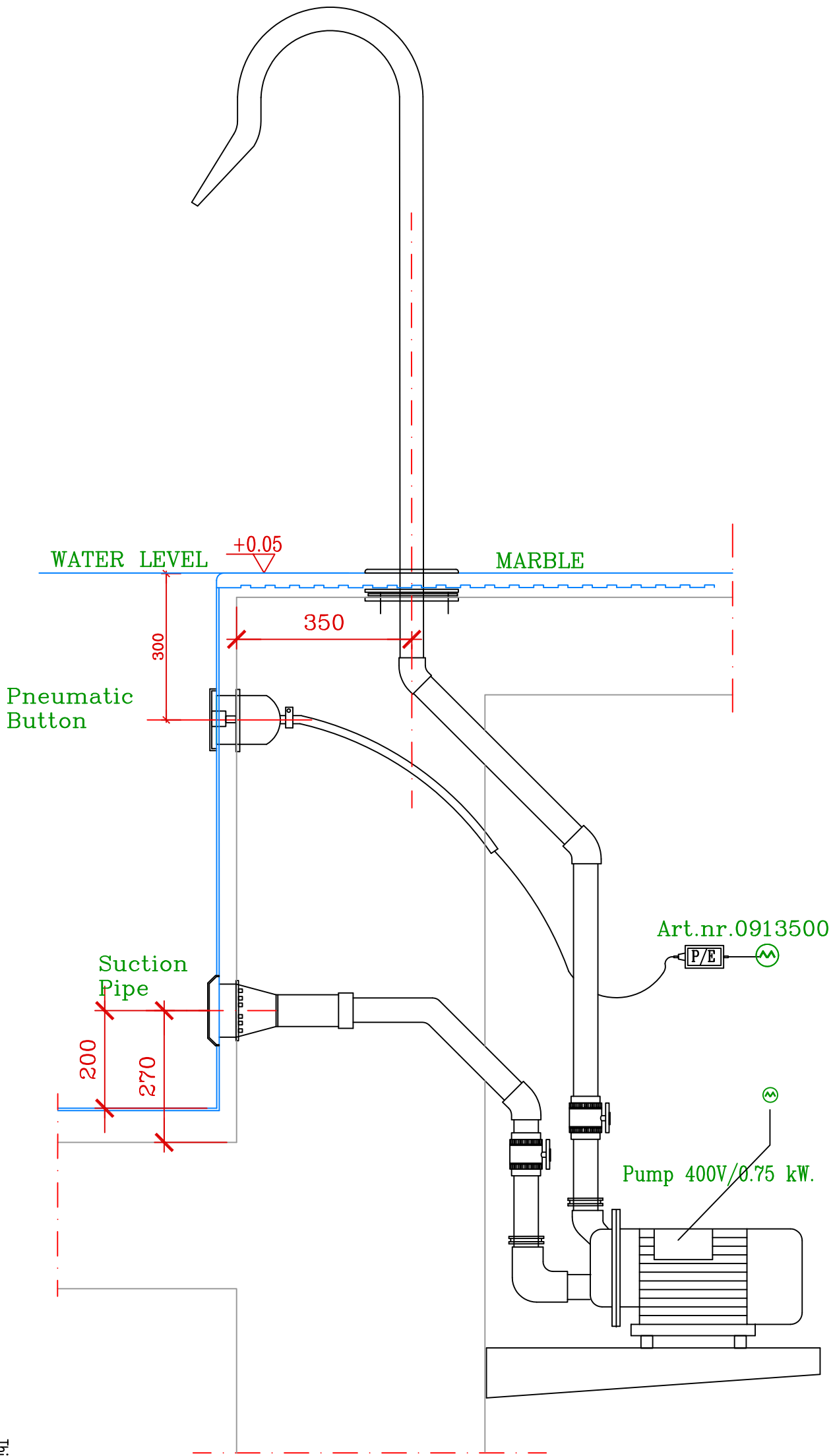
UNDERWATER MASSAGE SYSTEM  
 WALL PASSAGE PIPES DETAILS

Drw.nr:12 | Work nr:T05009-R | Scale:1/10 | Date:27.01.2006



This drawing may not be used by third persons or project firms without permission and it may not be reused. Only OSPA-ERKOC may change or correct the drawing.

	ERKOC MIMARLIK MUH. LTD. Cenap Sahabettin Cd.No:69 Kosuyolu-Istanbul-TURKIYE Tel:0216 3269515-3268760 Fax:0216 4288016	
	ENKA-MISURATA / SWIMMING POOL PROJECT	
UNDERWATER MASSAGE SYSTEM INSTALLATION SCHEMA		
Drw.nr:13	Work nr:T05009-R	Scale:--
Date:27.01.2006		



Concrete passage materials Art.nr.1575200  
 Final materials Art.nr.1577500

Ⓜ Electrical connection  
 required until BlueControl

## NECK JET

This drawing may not be used by third persons or project firms without permission and it may not be reused. Only OSPA-ERKOC may change or correct the drawing.

**erkoc** Ltd. ERKOC MIMARLIK MUH. LTD  
 Genep Sırtıođulu Ođakıođ9 Kısıyolu-İstanbul-TURKİYE  
 www.erkoc.net Tel:0216 3269515-3268760 Fax:0216 4288016

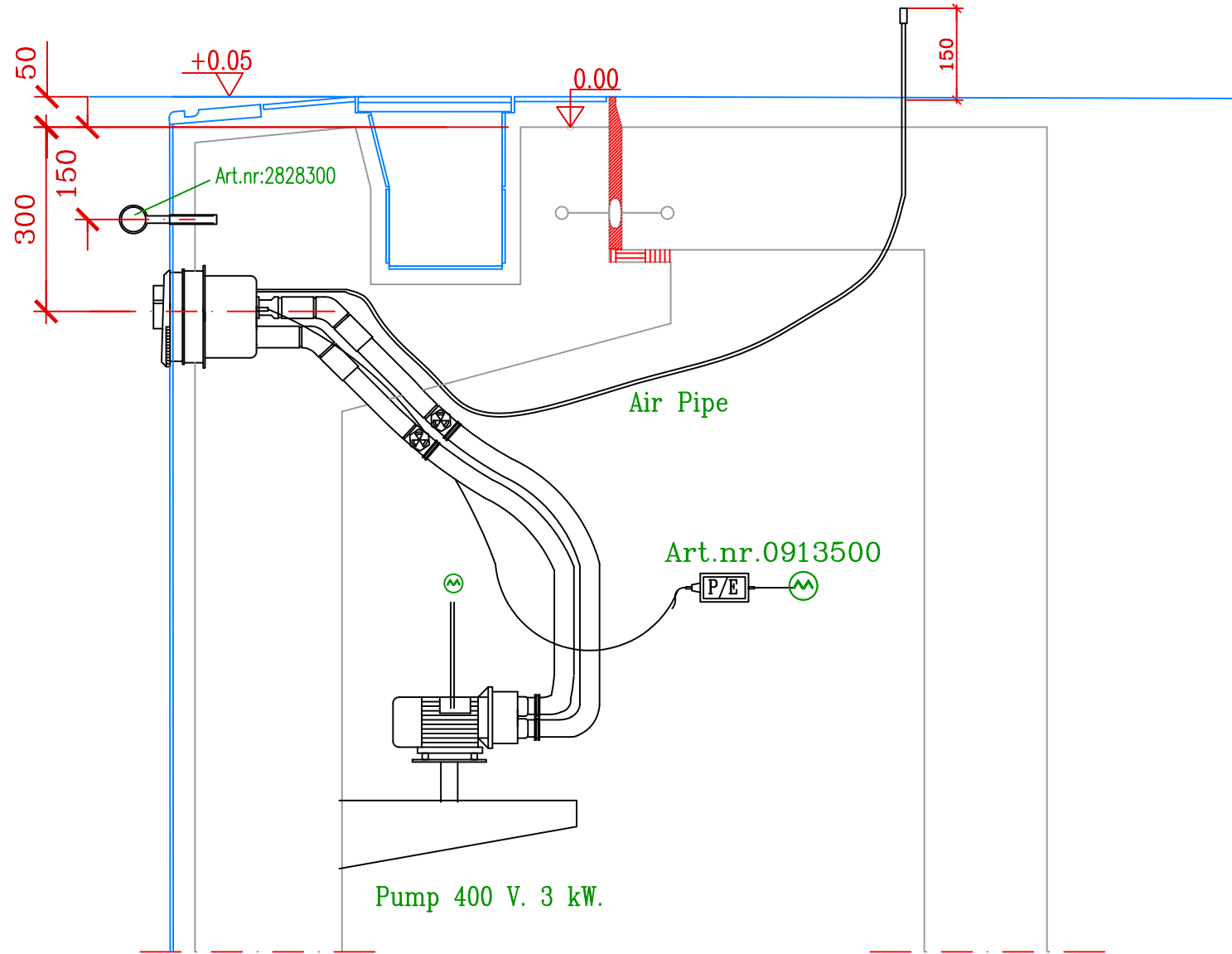


ENKA-MISURATA / SWIMMING POOL PROJECT

NECK JET DETAIL

Drw.nr:14 Work nr:105009-R Scale:1/10 Date:27.01.2006

Air suction pipe shall be elevated 30 cm. above the pool surface. Pay particular attention that during decoration process free air suction is not prevented



Concrete passage materials Art.nr.1564400  
Final materials Art.nr.1566400

⊗ Electrical connection required until BlueControl

### COUNTERCURRENT UNIT

This drawing may not be used by third persons or project firms without permission and it may not be reused. Only OSPA-ERKOC may change or correct the drawing.

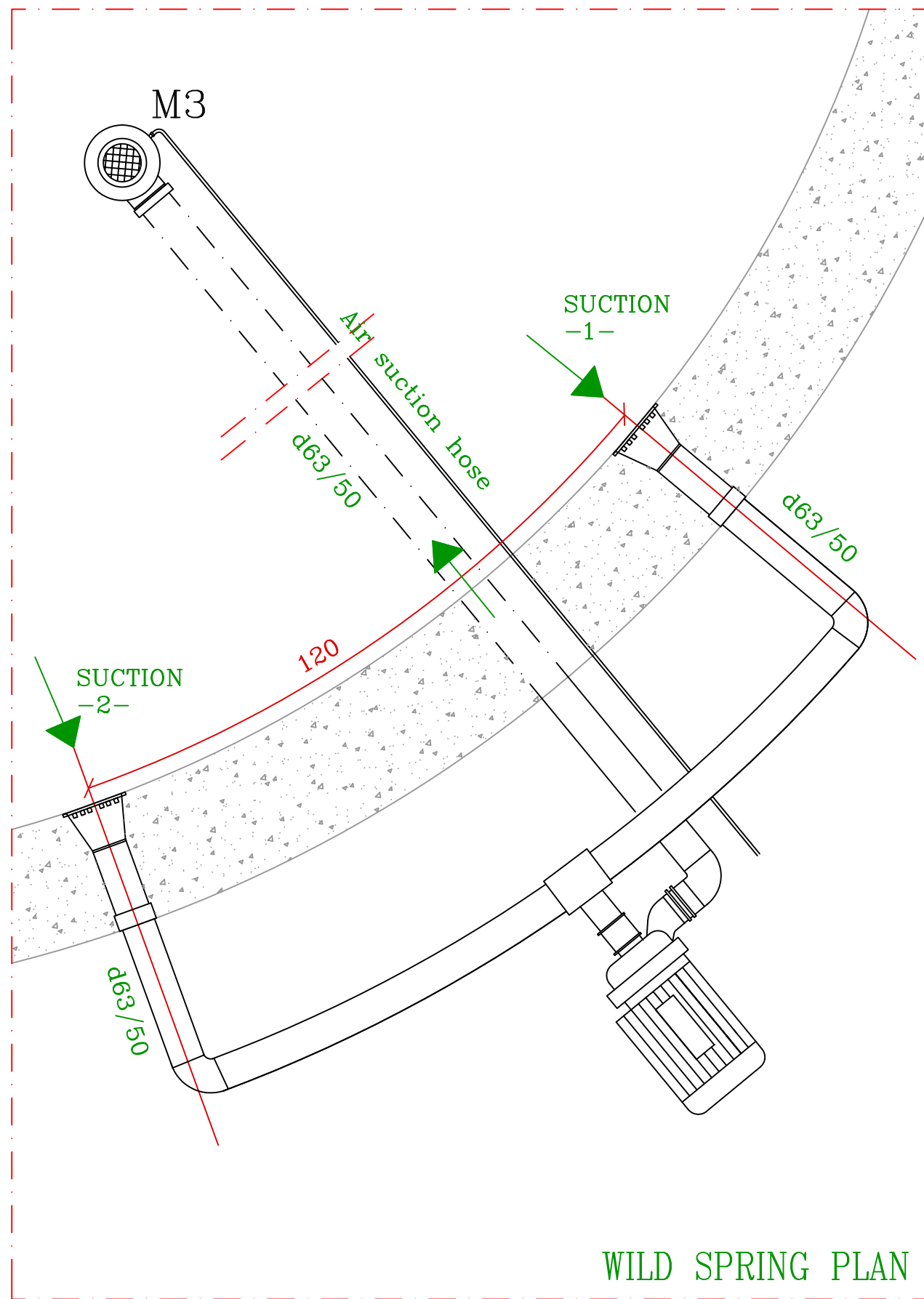
**erkoc ltd.** ERKOC MIMARLIK MUH. LTD.  
Cenap Sahabettin Cd.No:69 Kosuyolu-Istanbul-TURKIYE **ospa**  
www.erkoc.net Tel:0216 3269515-3268760 Fax:0216 4288016

ENKA-MISURATA / SWIMMING POOL PROJECT

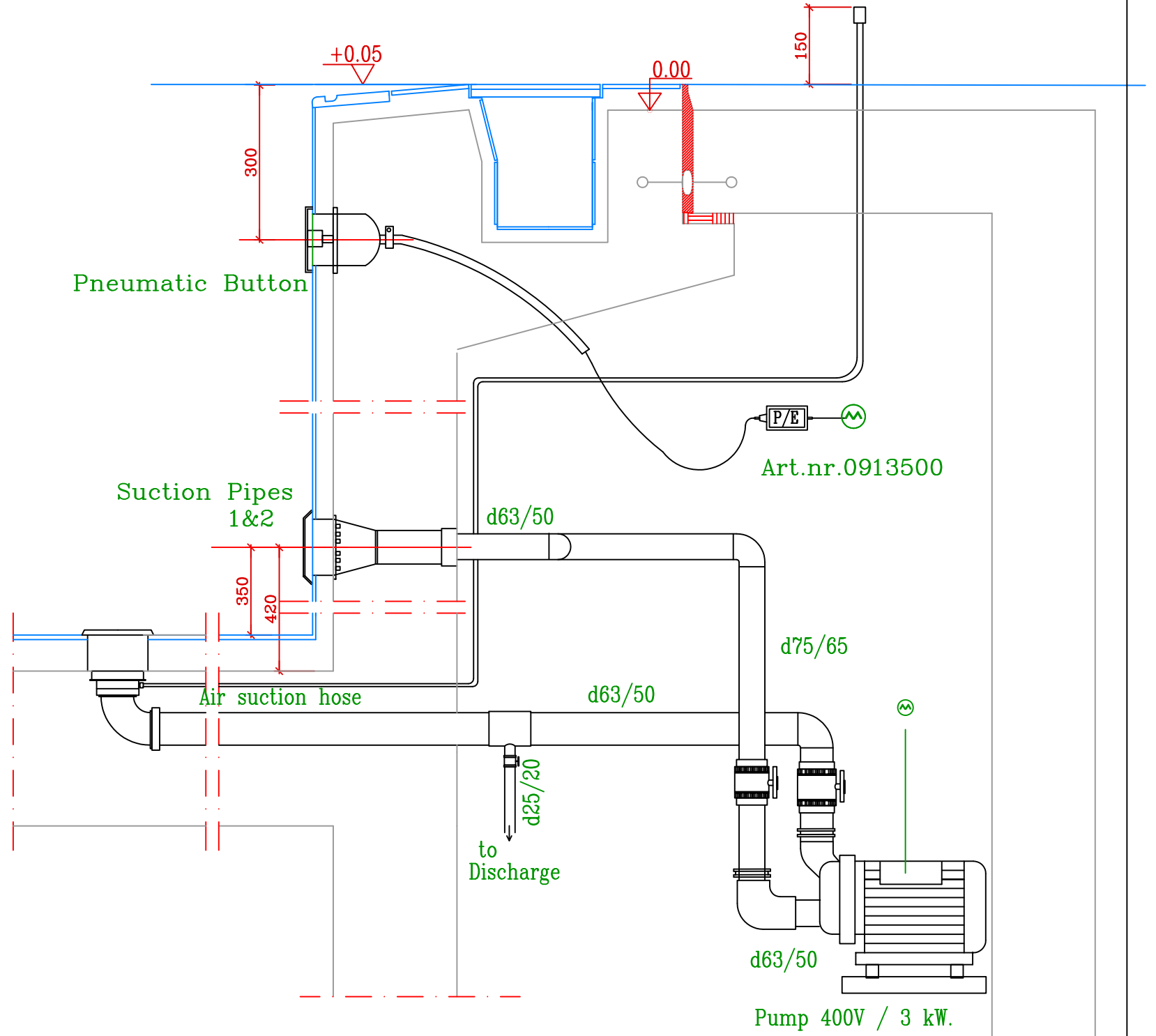
COUNTERCURRENT UNIT DETAIL

Drw.nr:15 | Work nr:T05009-R | Scale:1/10 | Date:27.01.2006

Air suction pipe shall be elevated 30 cm. above the pool surface. Pay particular attention that during decoration process free air suction is not prevented



WILD SPRING PLAN



Concrete passage materials Art.nr.1566300  
Final materials Art.nr.1567700

Ⓜ Electrical connection required until BlueControl

WILD SPRING SECTION

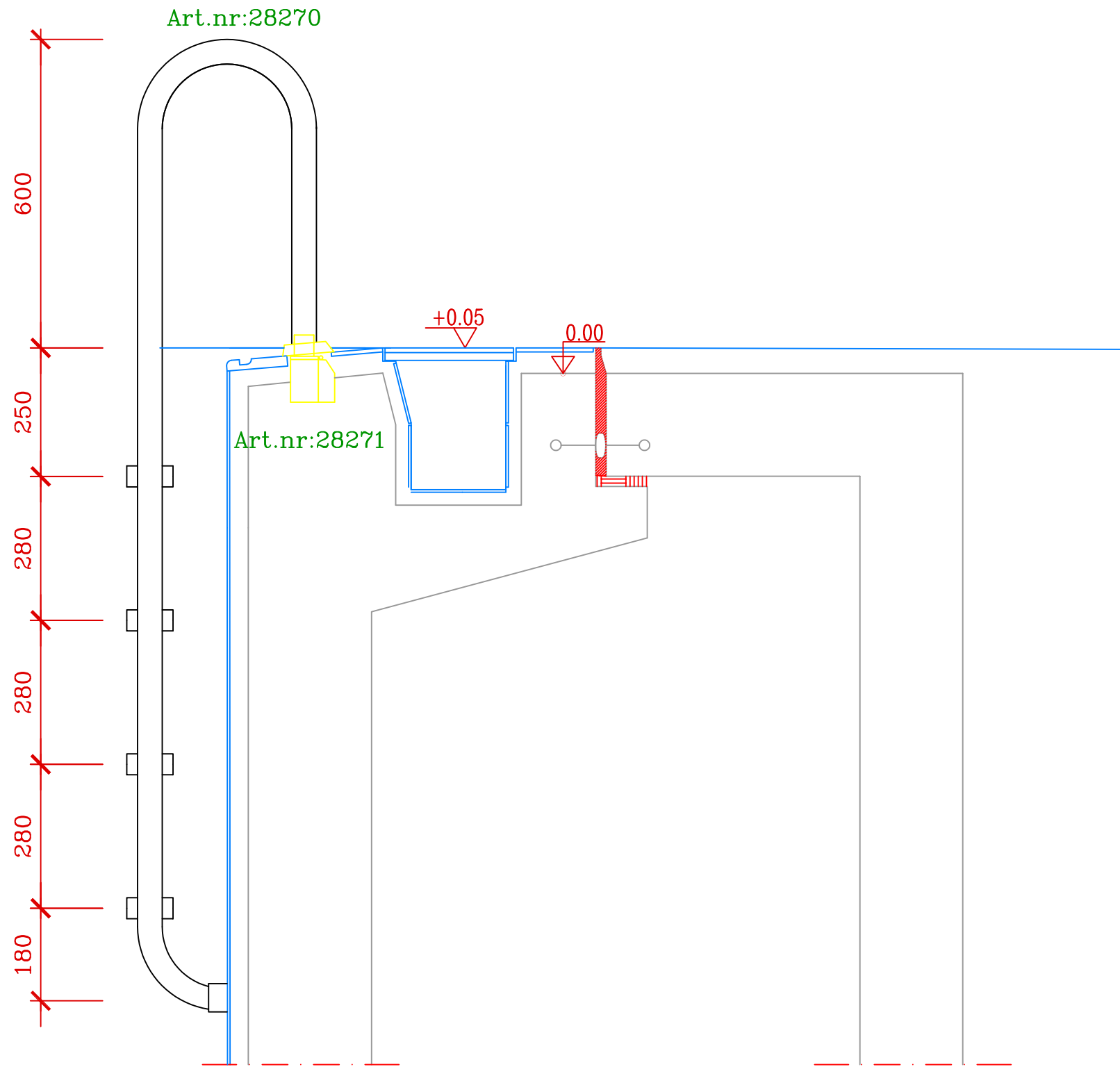
This drawing may not be used by third persons or project firms without permission and it may not be reused. Only OSPA-ERKOC may change or correct the drawing.

**erkoc** ltd. ERKOC MIMARLIK MUH. LTD  
Cenap Sahabettin Cd.No:69 Kosuyolu-Istanbul-TURKIYE  
www.erkoc.net Tel:0216 3269515-3268760 Fax:0216 4288016 **ospa**

ENKA-MISURATA / SWIMMING POOL PROJECT

WILD SPRING UNIT DETAILS

Drw.nr:16 | Work nr:T05009-R | Scale:1/10 | Date:27.01.2006



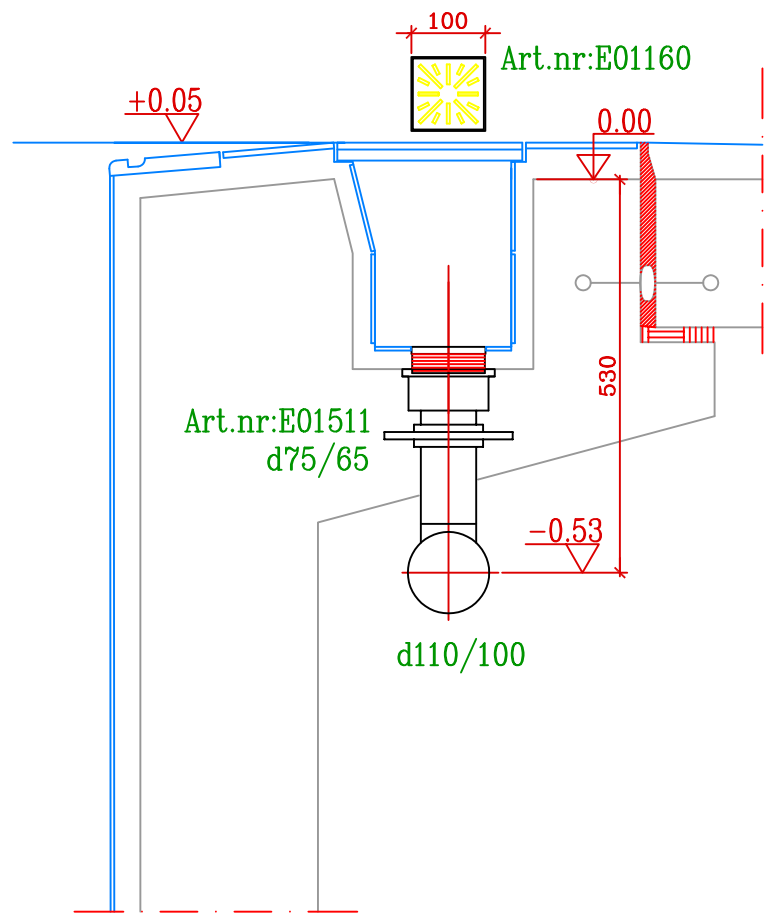
This drawing may not be used by third persons or project firms without permission and it may not be reused. Only OSPA-ERKOC may change or correct the drawing.

**erkoc ltd.** ERKOC MIMARLIK MUH. LTD.  
 Cenap Sahabettin Cd.No:69 Kosuyolu-Istanbul-TURKIYE  
 www.erkoc.net Tel:0216 3269515-3268760 Fax:0216 4288016 **ospa**

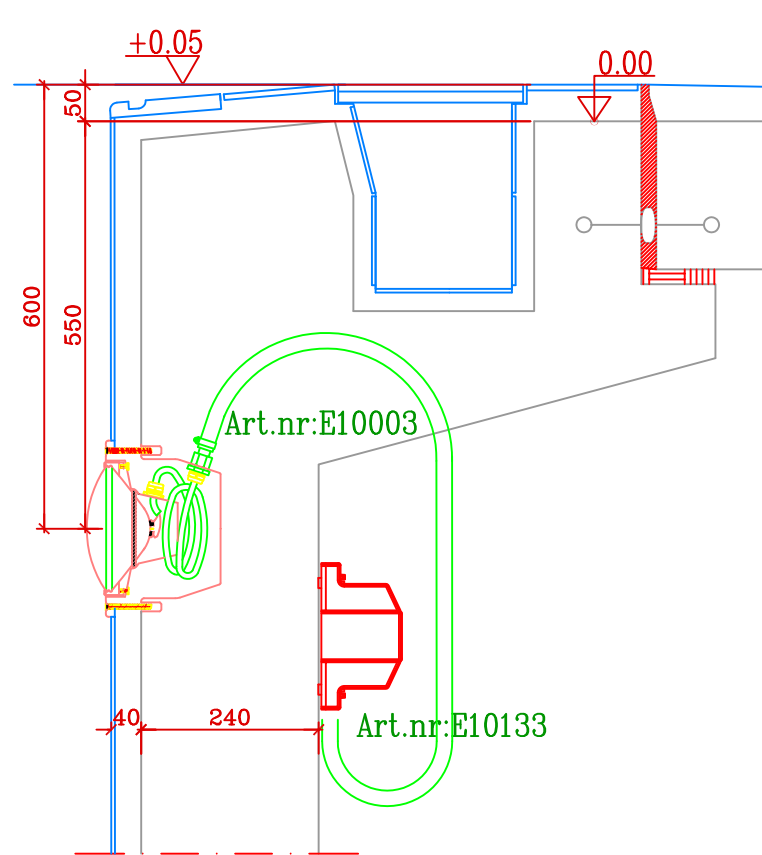
ENKA-MISURATA / SWIMMING POOL PROJECT

LADDER DETAIL

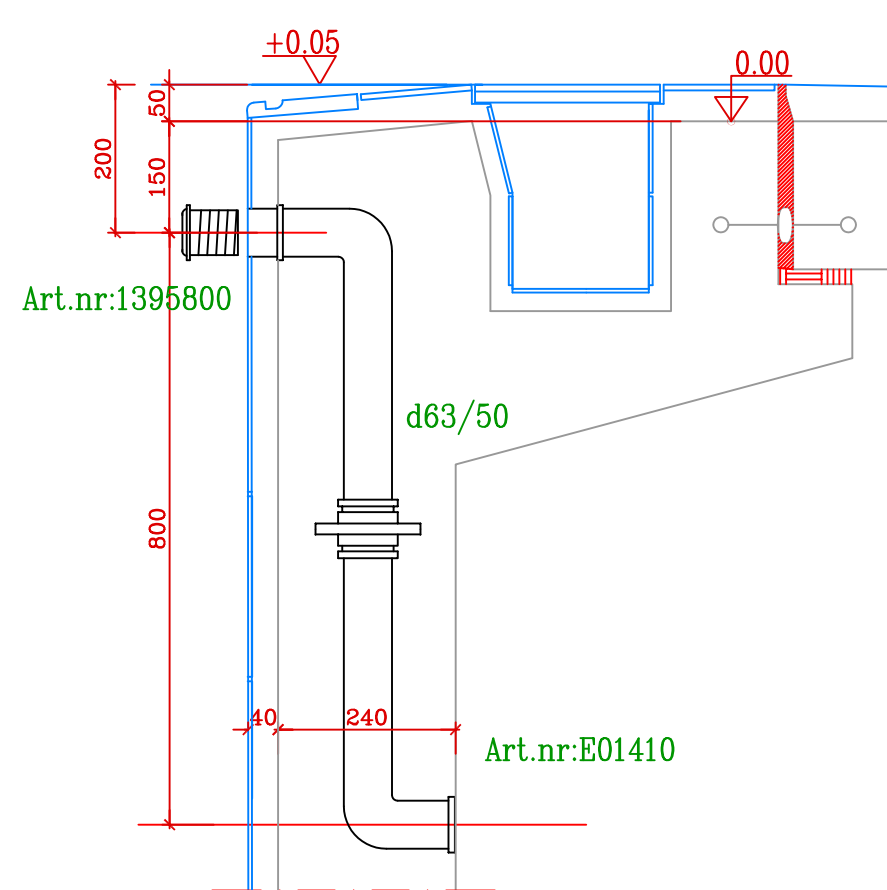
Drw.nr:19 | Work nr:T05009-R | Scale:1/10 | Date:27.01.2006



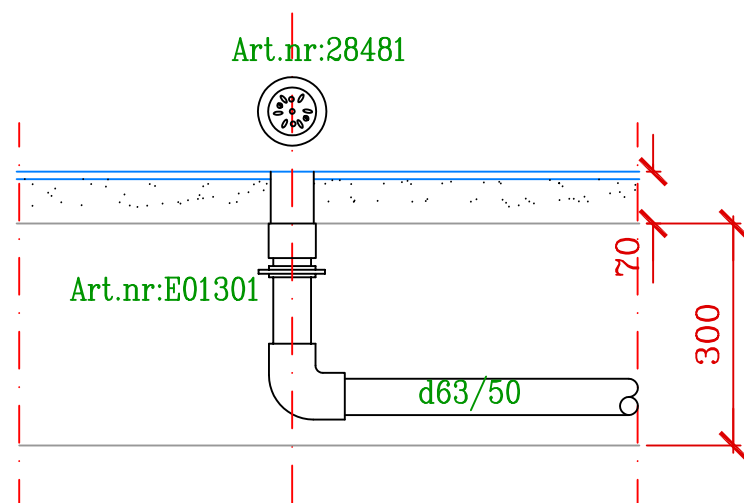
DETAIL-1-  
CHANNEL DRAIN



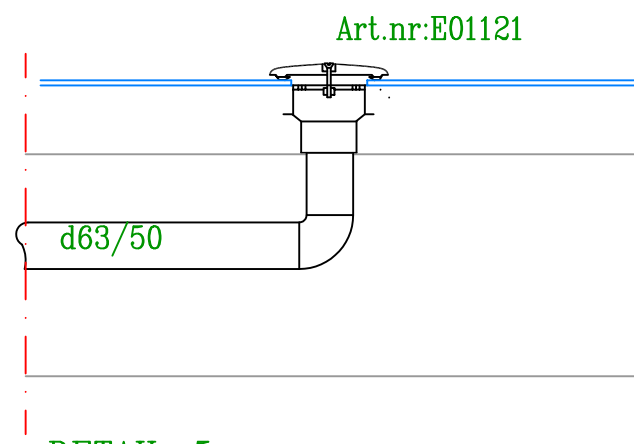
DETAIL-2-  
UNDERWATER LIGHT



DETAIL-3-  
VACUUM CONNECTION



DETAIL-4-  
FLOOR DRAIN FOR INLET JET



DETAIL-5-  
FLOOR DRAIN