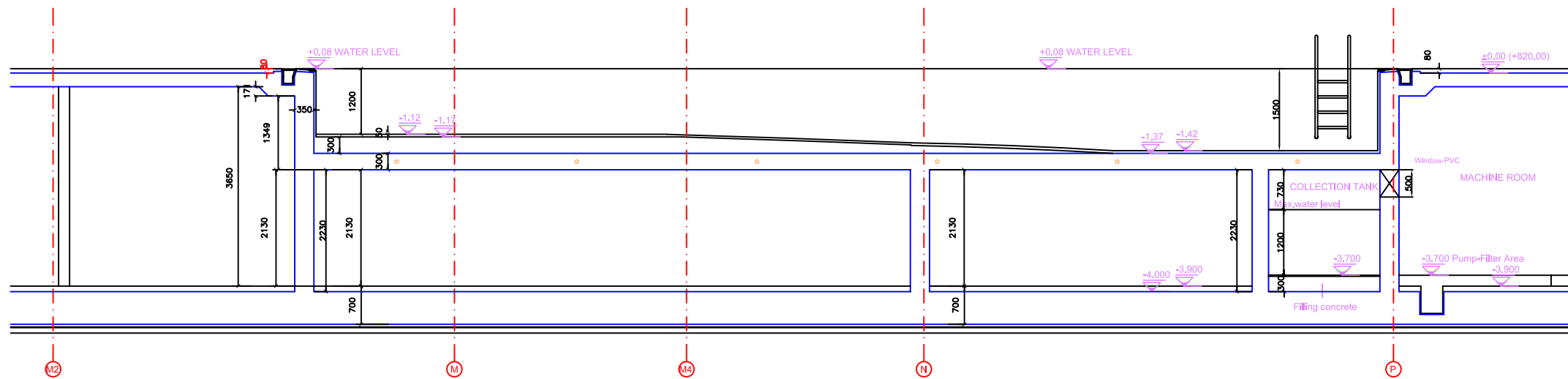
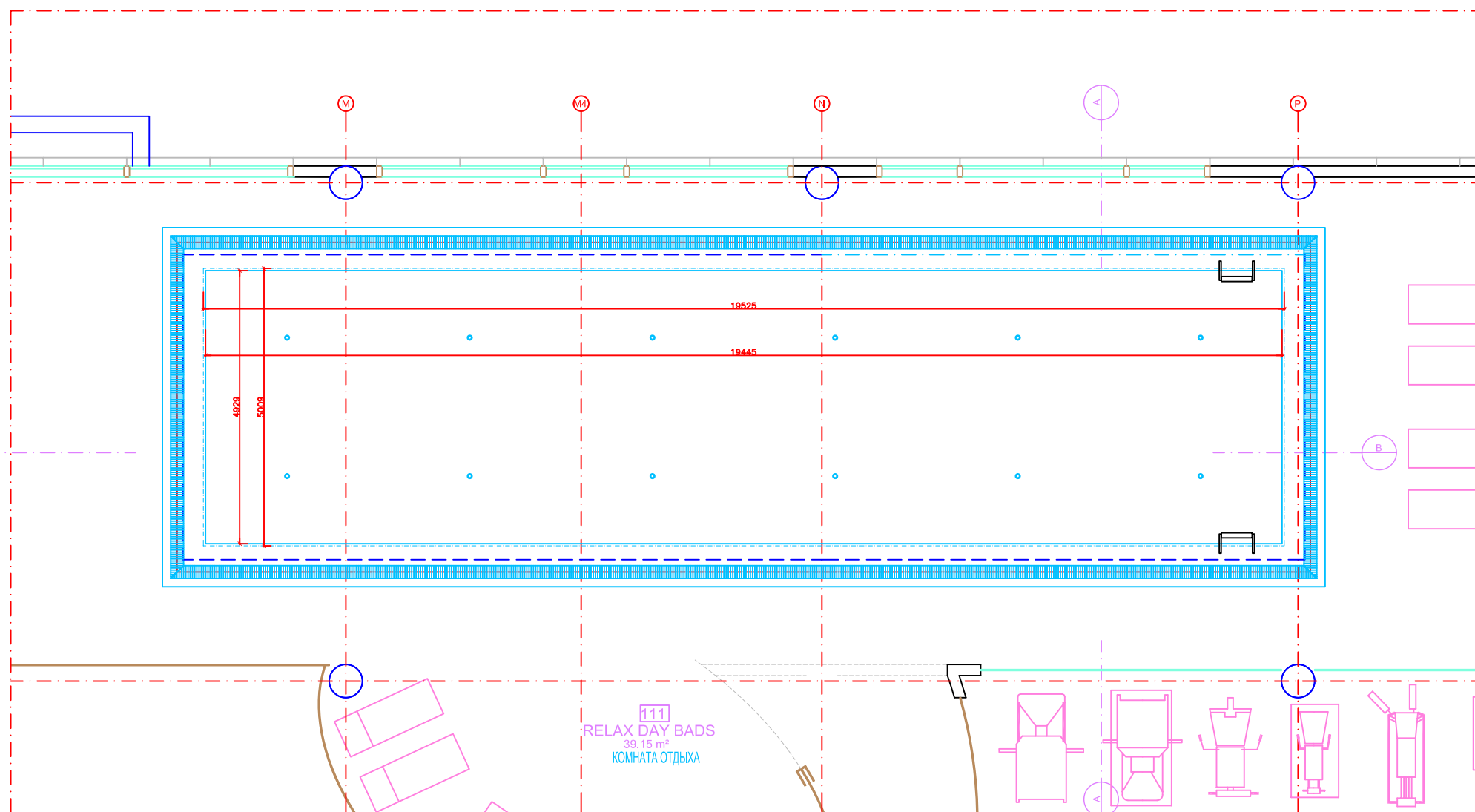


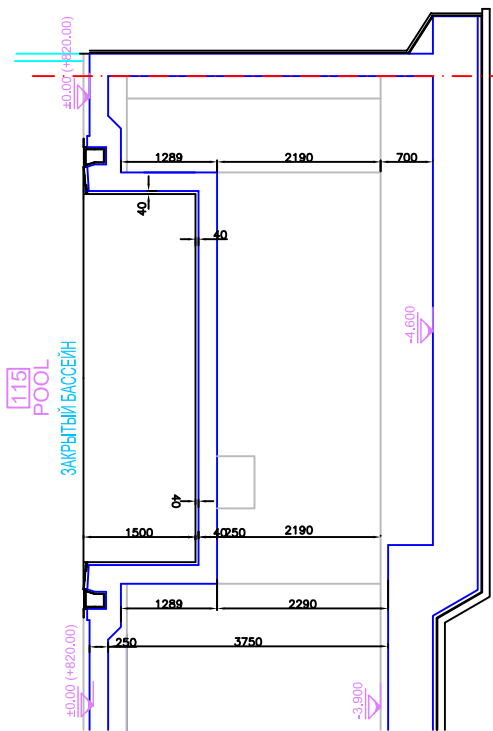
**ENKA  
DUŞANBE  
HYATT REGENCY OTEL  
YÜZME HAVUZU**



SECTION B-B



SECTION A-A



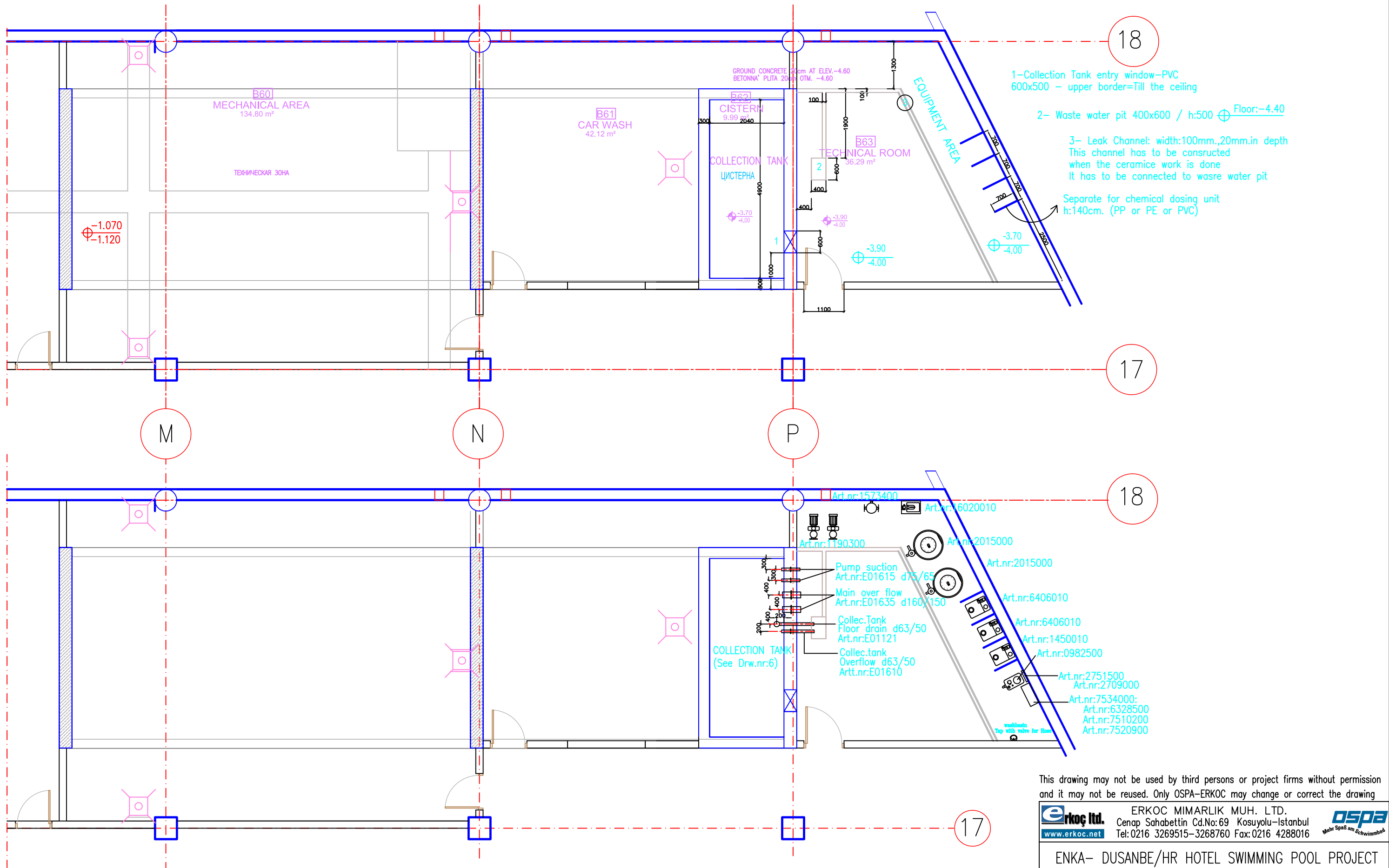
115 POOL  
ЗАКРЫТЫЙ БАССЕЙН

This drawing may not be used by third persons or project firms without permission and it may not be reused. Only OSPA-ERKOC may change or correct the drawing

 www.erkoc.net	ERKOC MIMARLIK MUH. LTD. Cenap Sahabettin Cd.No:69 Kosuyolu-Istanbul Tel:0216 3269515-3268760 Fax:0216 4288016	 Mehr Spaß am Schwimmen
	ENKA- DUSANBE/HR HOTEL SWIMMING POOL PROJECT	

SWIMMING POOL PLAN & SECTIONS

Drw.nr:1 | Work nr:T06095-H | Scale: 1/100 | Date:28.09.2006



This drawing may not be used by third persons or project firms without permission and it may not be reused. Only OSPA-ERKOC may change or correct the drawing

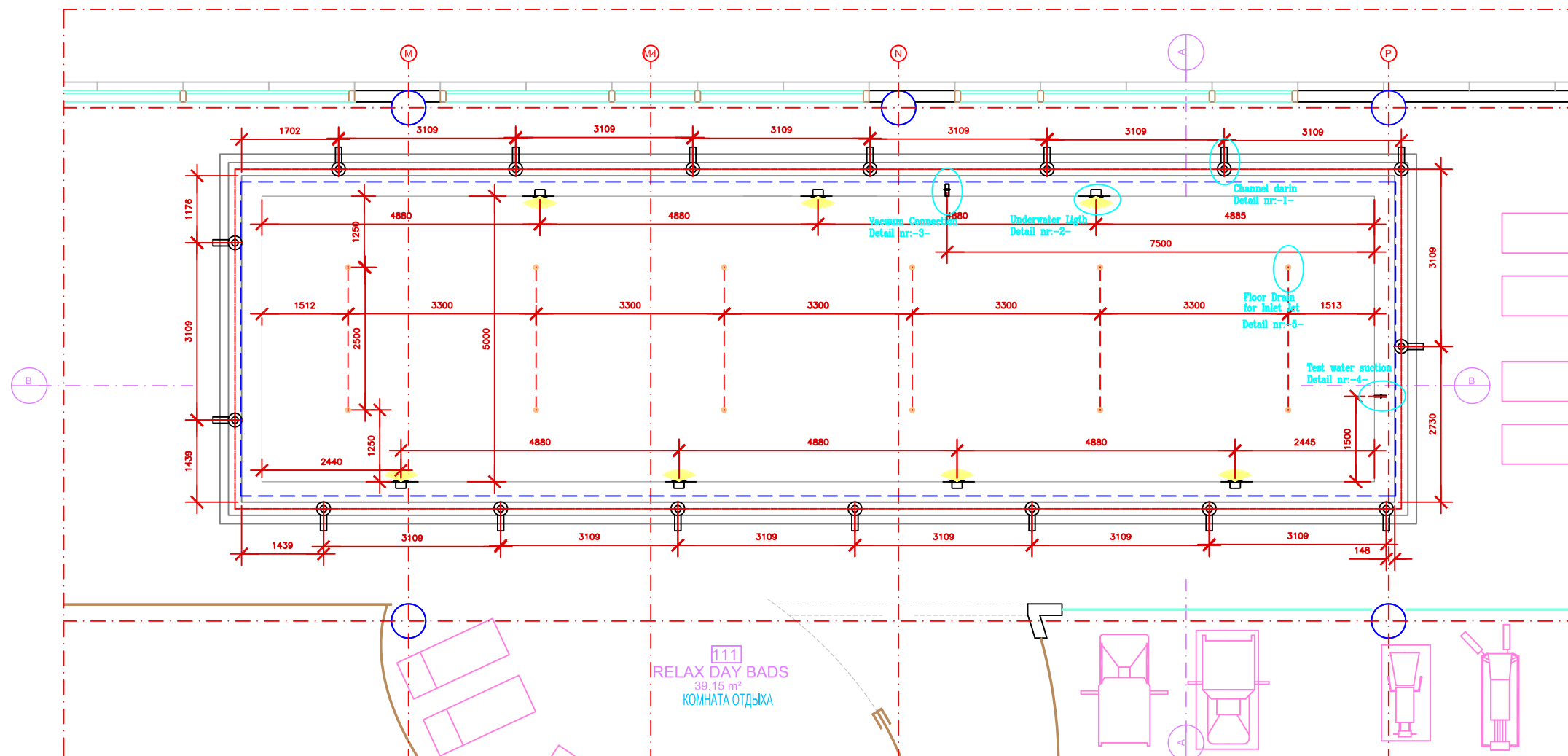
**erkoç ltd.** ERKOC MIMARLIK MUH. LTD.  
Cenap Sahabettin Cd.No:69 Kosuyolu-Istanbul  
www.erkoc.net Tel:0216 3269515-3268760 Fax:0216 4288016





ENKA- DUSANBE/HR HOTEL SWIMMING POOL PROJECT

MACHINE ROOM LAYOUT

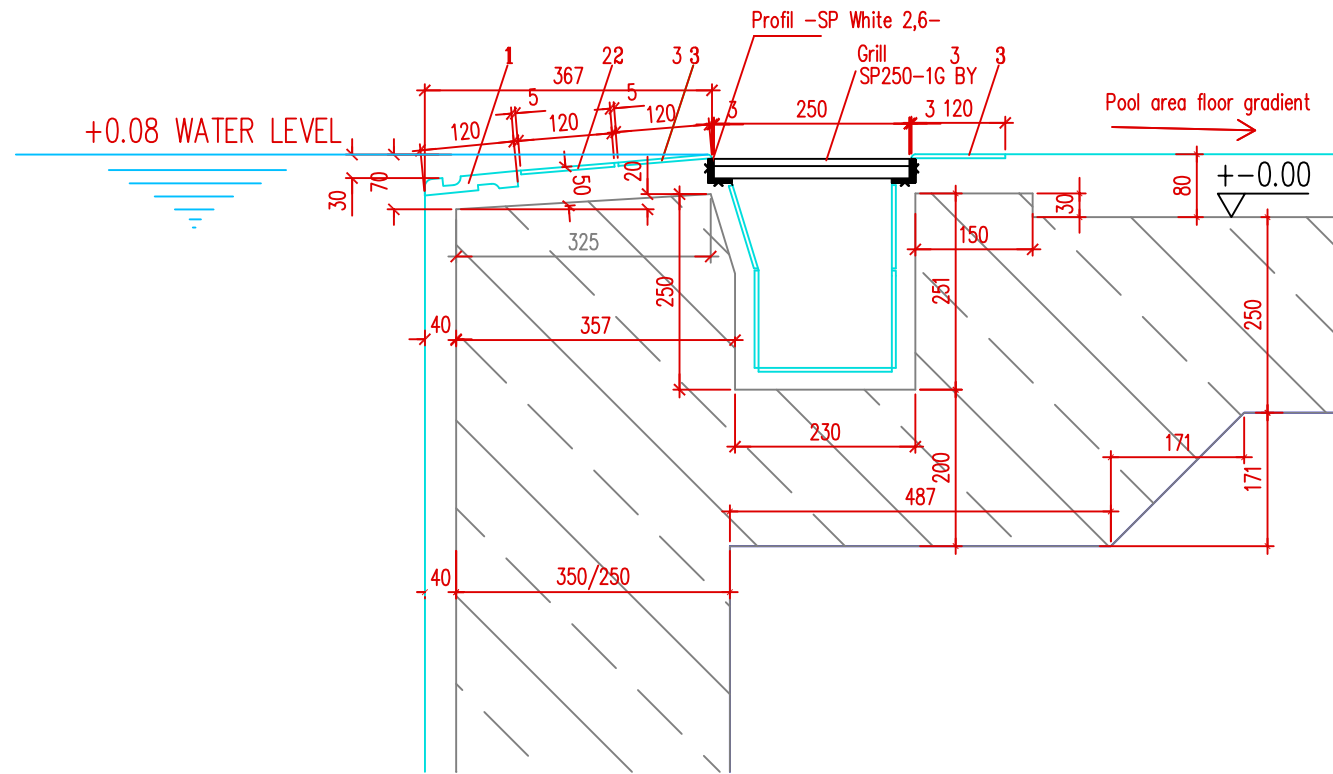
Drw.nr:2 | Work nr:T06095-H | Scale: 1/100 | Date:28.09.2006



This drawing may not be used by third persons or project firms without permission and it may not be reused. Only OSPA-ERKOC may change or correct the drawing

 <a href="http://www.erkoc.net">www.erkoc.net</a>	ERKOC MIMARLIK MUH. LTD. Cenap Sahabettin Cd.No:69 Kosuyolu-Istanbul Tel: 0216 3269515-3268760 Fax: 0216 4288016	 Mehr Spaß am Schwimmen
	ENKA- DUSANBE/HR HOTEL SWIMMING POOL PROJECT CONCRETE PASSAGE MATERIALS LAYOUT	

Drw.nr: 3	Work nr: T06095-H	Scale: 1/100	Date: 28.09.2006
-----------	-------------------	--------------	------------------



OVER FLOW CHANNEL DETAIL

Mosaics handles & antislips  
From company "SERA POOL" as sample

- 1- Material nr: 10107
- 2- Material nr: 20100
- 3- Material nr: 21100

The dimensions of the chosen materials are more or less the same with the dimensions of the materials manufactured by other companies.

**WATER INSULATION:**

Entire pool basin, collection tank's base and top walls, overflow channels and the perimeter of the pool for min of 50cm. should be insulated with no interruption.

Insulation materials were chosen from Company of "Sika" as sample.

- Concrete Plastokret N
- Sika Latex Emul
- Plaster supplement: Sika 1
- Isolation: Sika Topseal 107
- Ceramics glue
- Ceramics

( Corner filling material: Plastikol Silikon)

Please refer to Sika product catalog for application and quantity.

If concrete of Pool bottom is not completed at once, Joints bands must be established between the concrete blocks

If static project requires dilatation behind the pool basin and the overflow channels, please inform us.

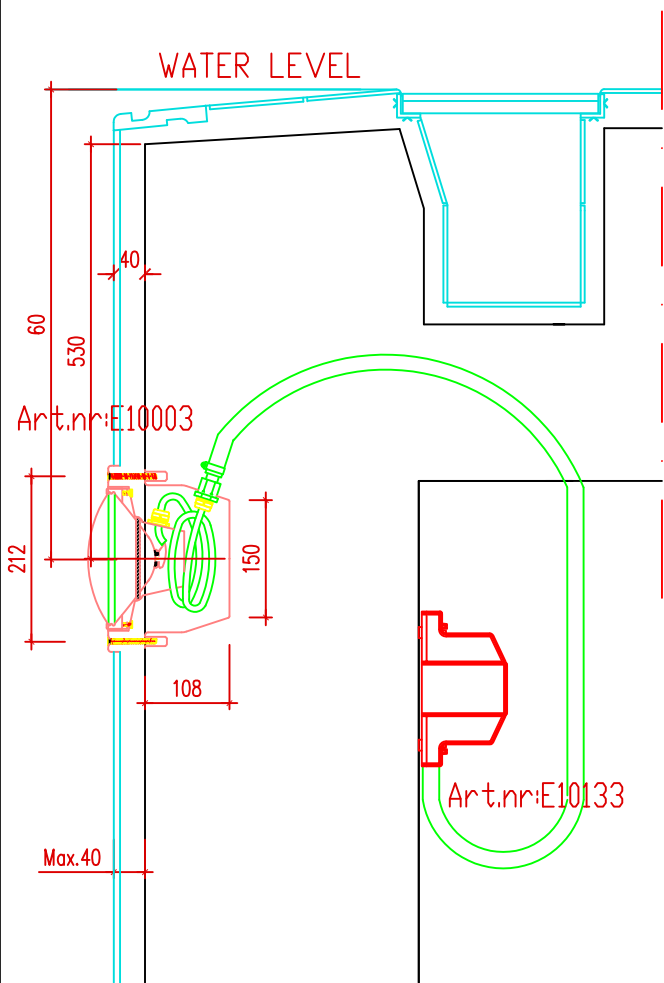
This drawing may not be used by third persons or project firms without permission and it may not be reused. Only OSPA-ERKOC may change or correct the drawing

**erkoc ltd.** ERKOC MIMARLIK MUH. LTD.  
Cenap Sahabettin Cd.No:69 Kosuyolu-Istanbul  
www.erkoc.net Tel:0216 3269515-3268760 Fax:0216 4288016 **ospa** Mehr Spaß am Schwimmbad

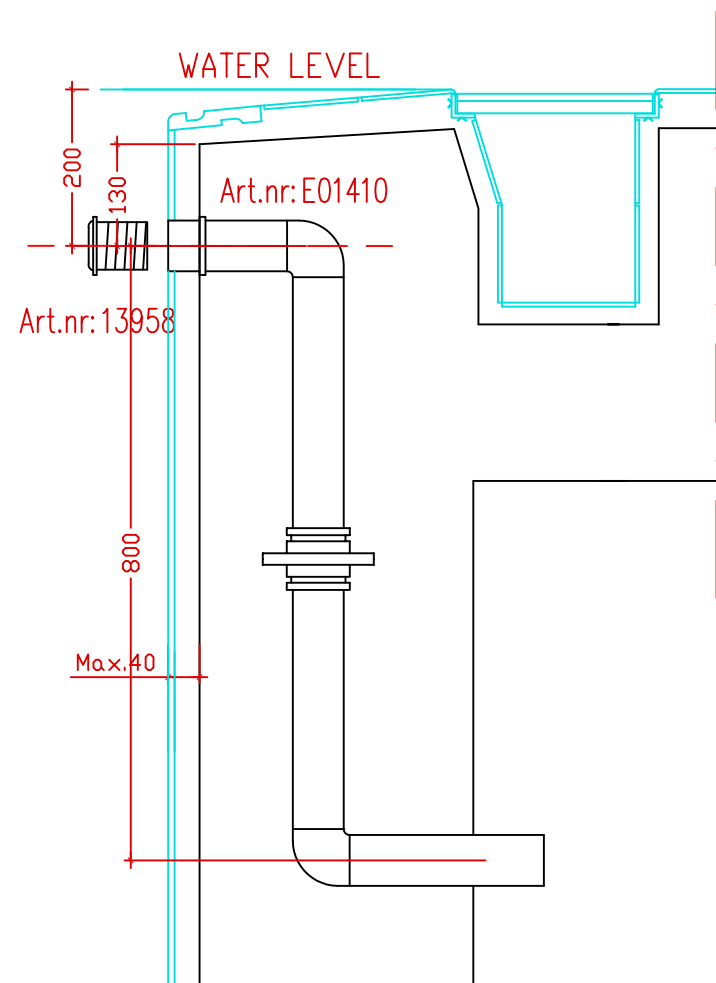
ENKA- DUSANBE/HR HOTEL SWIMMING POOL PROJECT

OVERFLOW CHANNEL DETAIL

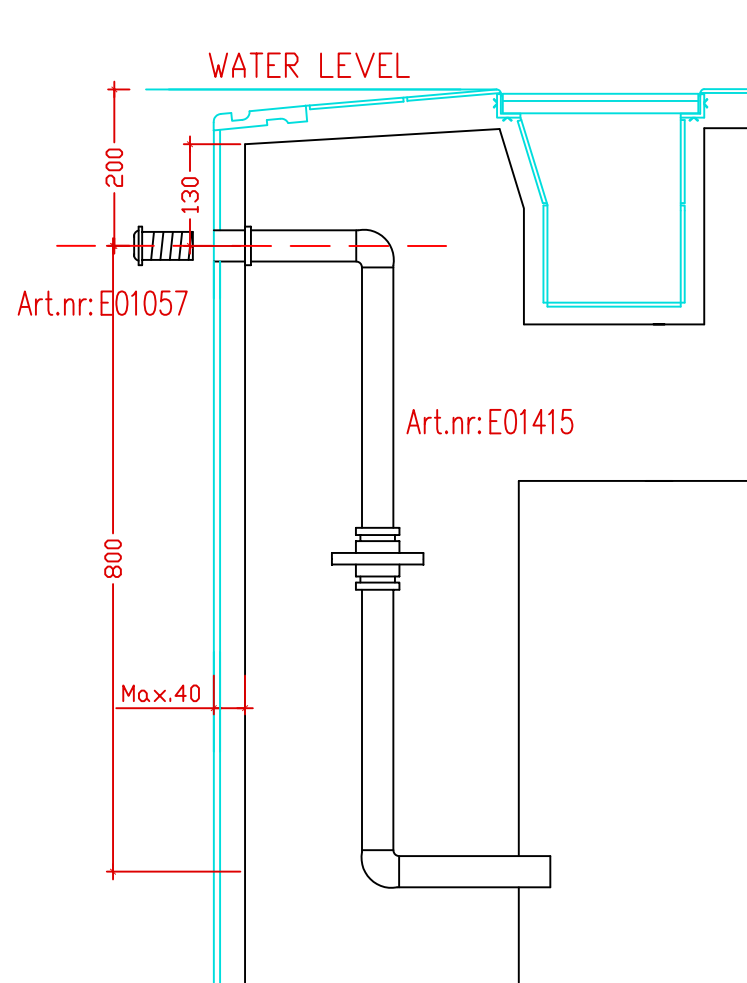
Drw.nr:4 | Work nr:T06095-H | Scale: 1/10 | Date:28.09.2006



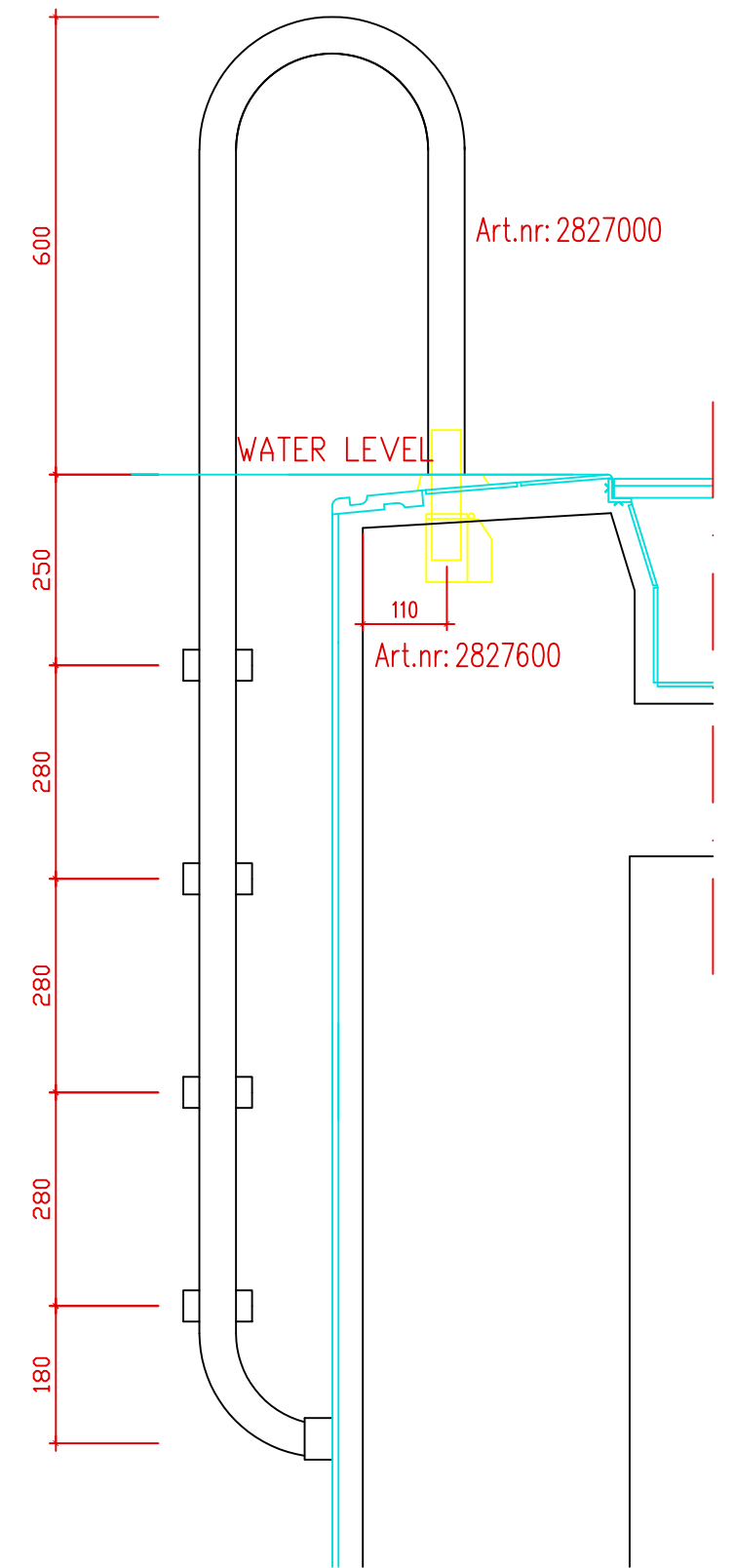
UNDERWATER LIGHT  
DETAIL NR: 2



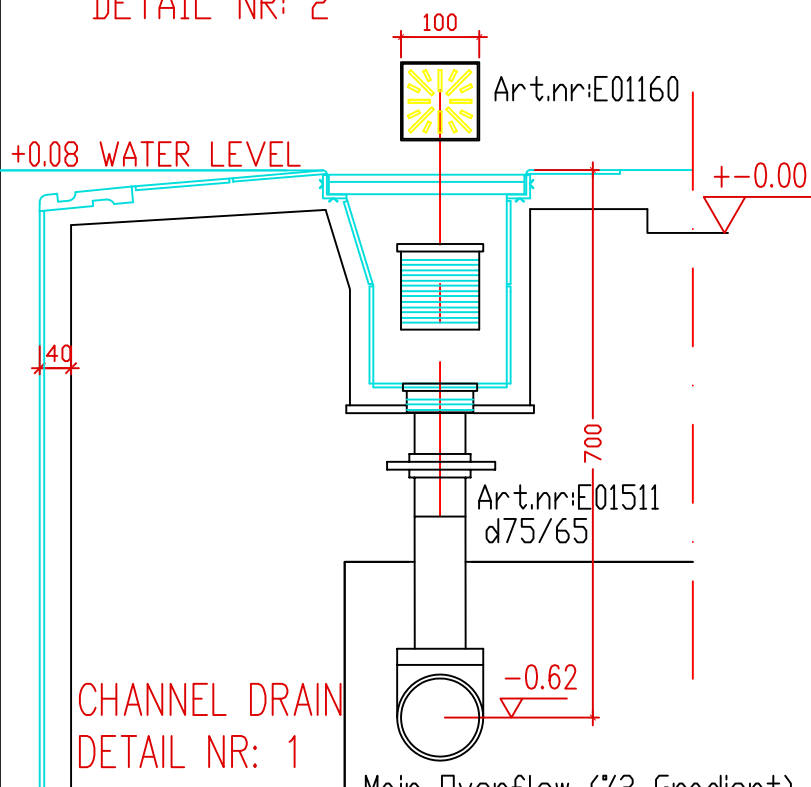
VACUUM CONNECTION  
DETAIL NR: 3



TEST WATER CONNECTION  
DETAIL NR: 4

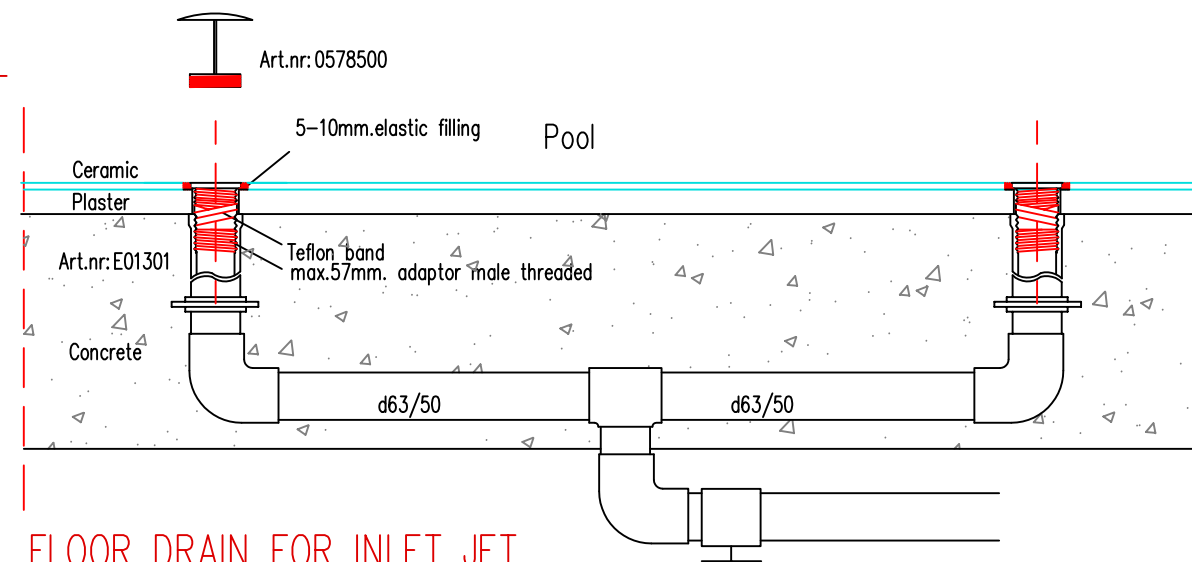


STAIR DETAIL



CHANNEL DRAIN  
DETAIL NR: 1

Main Overflow (1/2 Gradient)  
d110/100 - d160/150  
T1/1=T2/1=-0.62  
For other level  
See Drw.nr: 7



FLOOR DRAIN FOR INLET JET  
DETAIL NR: 5

**ATTENTION !**  
ALL THE CONCRETE PASSAGE MATERIALS  
MUST BE FIXED TO THEIR LOCATIONS  
DURING THE MOLDING STAGE

This drawing may not be used by third persons or project firms without permission and it may not be reused. Only OSPA-ERKOC may change or correct the drawing

**erkoç Ltd.** ERKOC MIMARLIK MUH. LTD.  
Cenap Sahabettin Cd.No:69 Kosuyolu-Istanbul  
www.erkoc.net Tel:0216 3269515-3268760 Fax:0216 4288016 **ospa**  
Mehr Spaß am Schwimmen

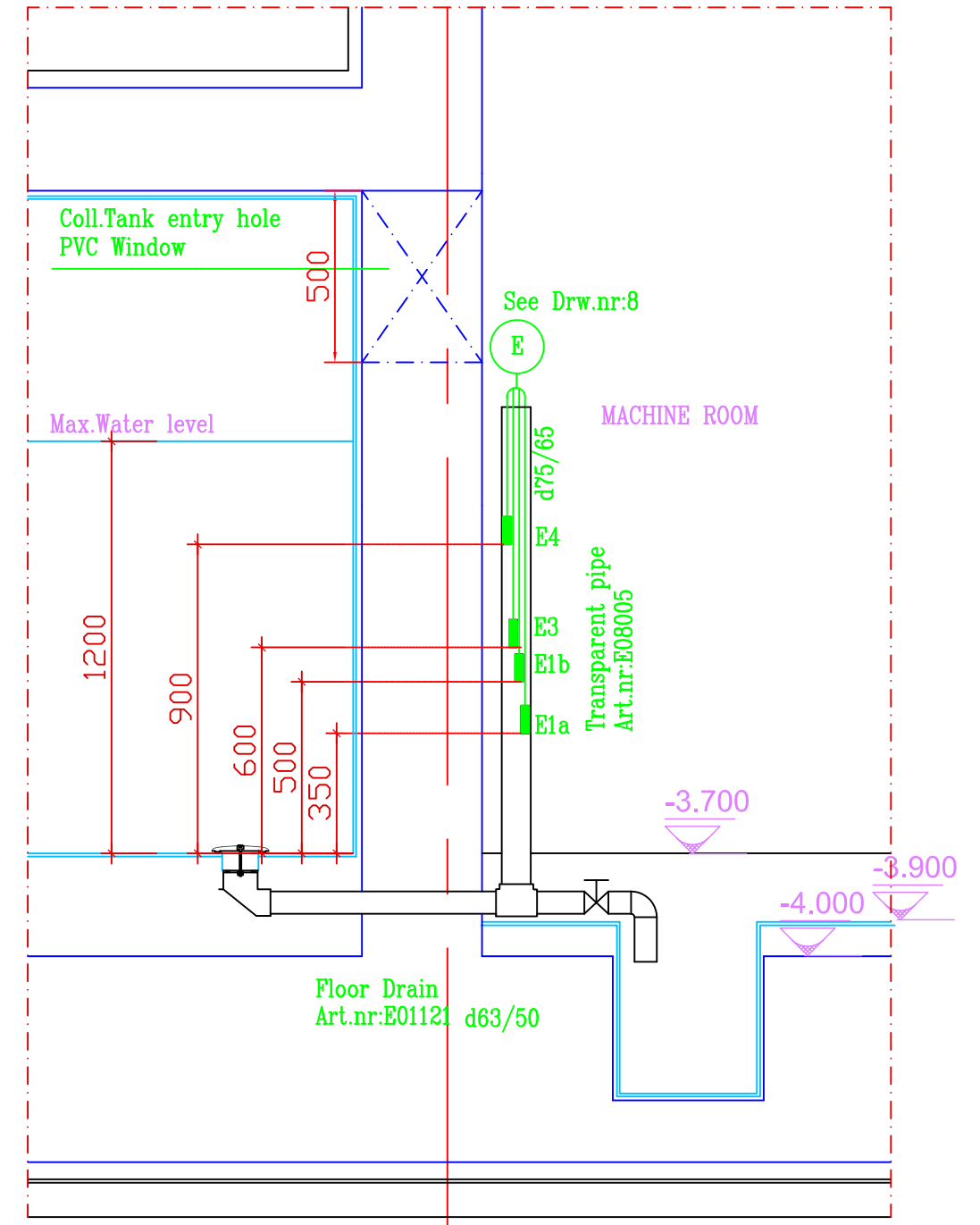
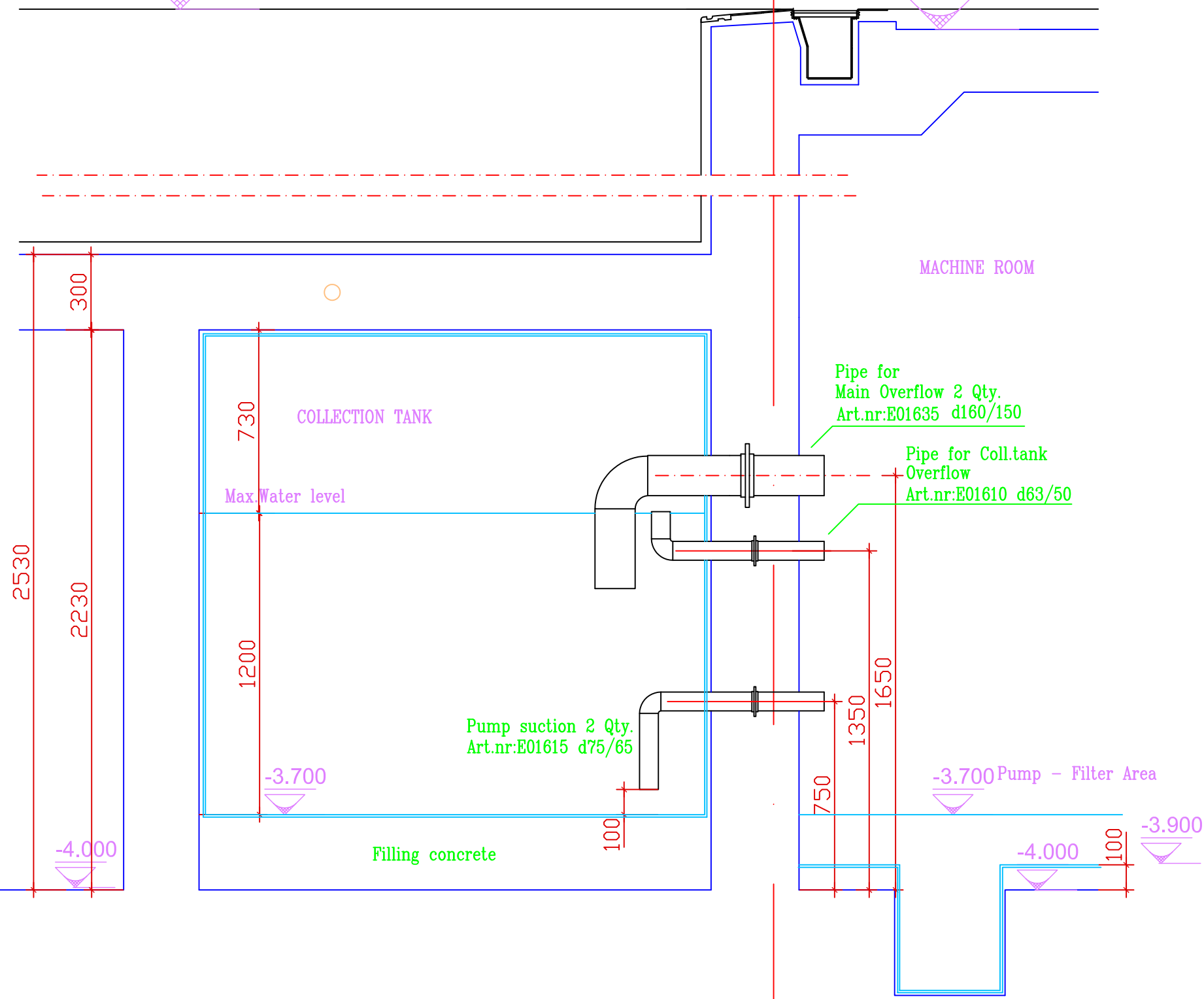
ENKA- DUSANBE/HR HOTEL SWIMMING POOL PROJECT

CONCRETE PASSAGE MATERIALS - DETAILS

Drw.nr:5 | Work nr:T06095-H | Scale: 1/10 | Date:28.09.2006

+0.08 Water Level

±0.00 (+820.00)



**P**

E1a=Protection electrode for no water conditions  
 E1b=Re-start electrode after E1a  
 E3=Normal water level electrode  
 E4=Max.water level electrode

**ATTENTION !**  
 ALL THE CONCRETE PASSAGE MATERIALS  
 MUST BE FIXED TO THEIR LOCATIONS  
 DURING THE MOLDING STAGE

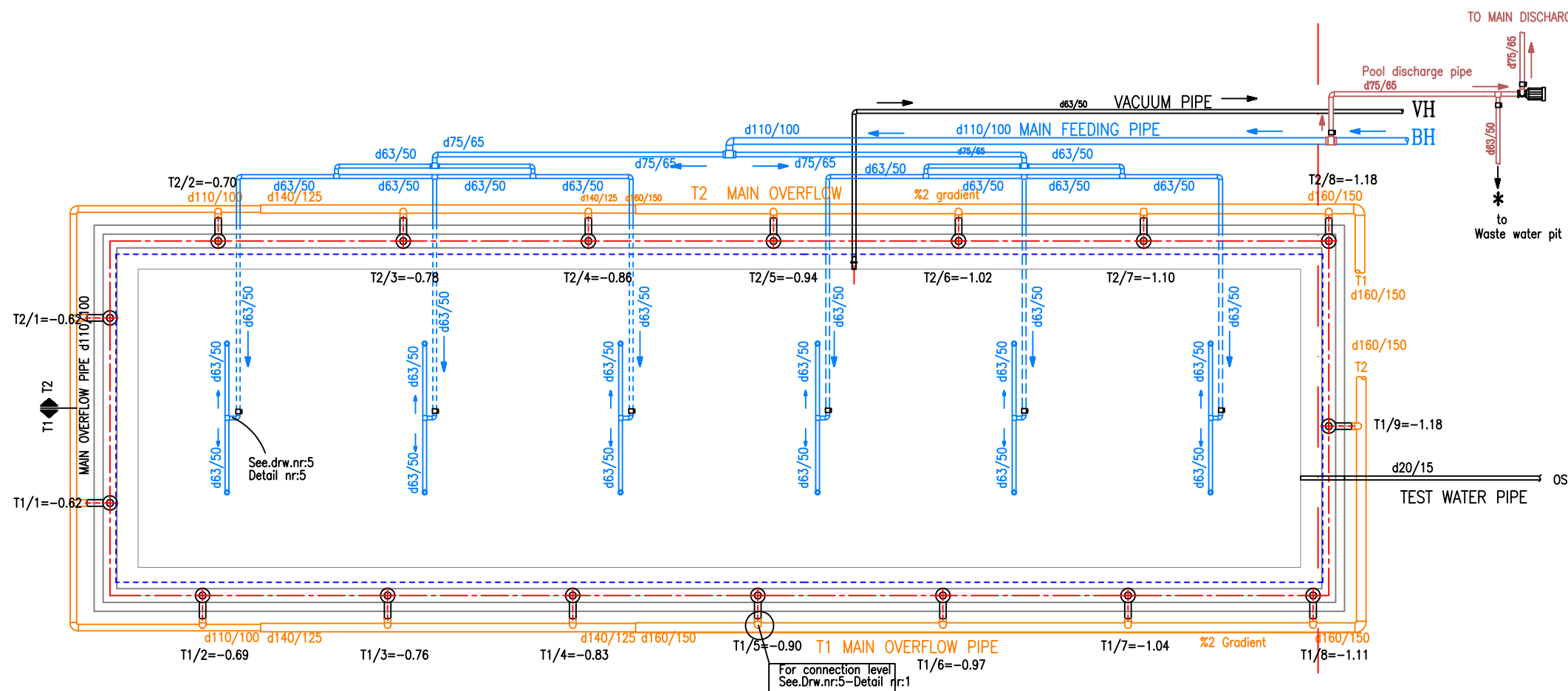
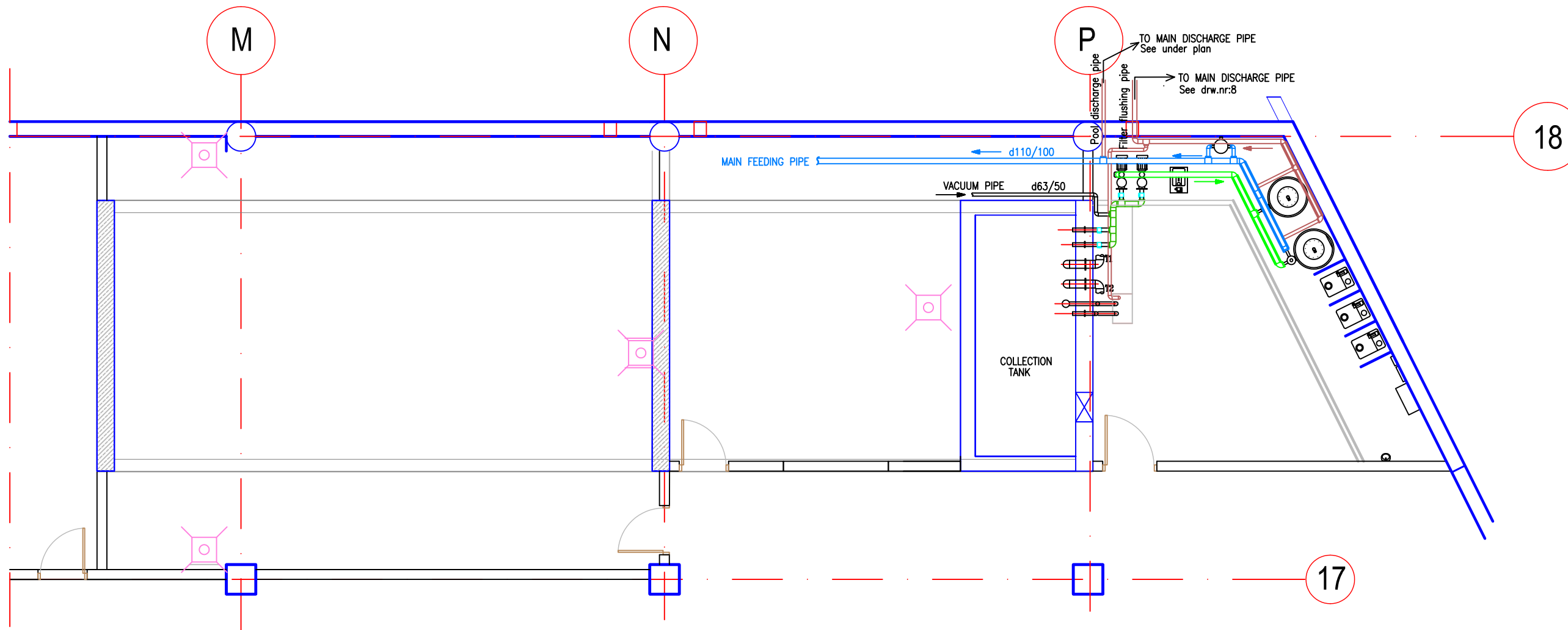
This drawing may not be used by third persons or project firms without permission and it may not be reused. Only OSPA-ERKOC may change or correct the drawing

**erkoc ltd.** ERKOC MIMARLIK MUH. LTD.  
 Cenap Sahabettin Cd.No:69 Kosuyolu-Istanbul  
 www.erkoc.net Tel:0216 3269515-3268760 Fax:0216 4288016



ENKA- DUSANBE/HR HOTEL SWIMMING POOL PROJECT  
 COLLECTION TANK WALL PASSAGE PIPES SECTIONS DETAILS

Drw.nr:6 | Work nr:T06095-H | Scale: 1/20 | Date:28.09.2006



See this drawing with drawing nr: 8

This drawing may not be used by third persons or project firms without permission and it may not be reused. Only OSPA-ERKOC may change or correct the drawing

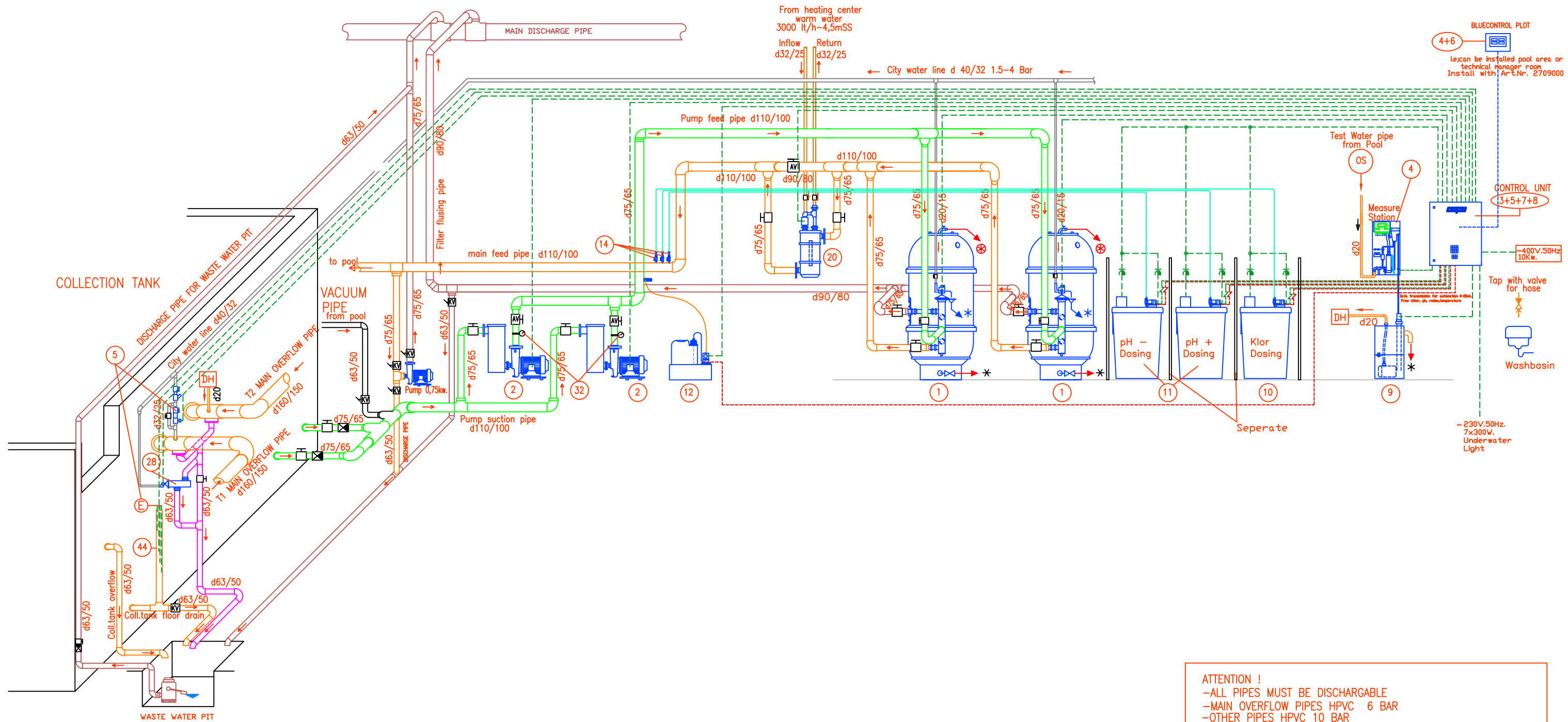
**erkoç ltd.** ERKOC MIMARLIK MUH. LTD.  
 www.erkoc.net Cenap Sahabettin Cd.No:69 Kosuyolu-Istanbul  
 Tel:0216 3269515-3268760 Fax:0216 4288016



ENKA- DUSANBE/HR HOTEL SWIMMING POOL PROJECT

INSTALLATION PLAN

Drw.nr:7 | Work nr:T06095-H | Scale: 1/100 | Date:28.09.2006



**ATTENTION !**

- ALL PIPES MUST BE DISCHARGABLE
- MAIN OVERFLOW PIPES HPVC 6 BAR
- OTHER PIPES HPVC 10 BAR
- TEST WATER LINE PE - PVC HOSE
- CITY WATER LINE PP
- PVC BALL VALVES < d 90/80 3" min. 10 BAR
- PVC BUTTERFLY VALVES >d 110/100 4" min. 6 BAR
- TOTAL USAGE OF ELECTRICITY FOR POOL 10KW. / ~400V. 50HZ
- VIEW POOL HANDBOOK FOR INSTALLATION INFO
- EXCEPT MAIN OVERFLOW PIPE, ALL INSTALLATION MUST BE TESTED ON 4BAR FOR 6HOURS
- PROPER WELD AND STICKER MUST BE USED FOR PIPES
- USE HOSE INPUT AND OUTPUT CONNECTION OF ALL EQUIPMENTS AND ENTRANCES OF CONCRETE WALLS

- To closest leak channel freely (with no pipe connection)
- Test water hose -from pool- See.Drw.nr: 7
- For level electrode See drawing nr:6
- Test Water pipe should be connected to main overflow pipe -T2- from top
- CLOSED VALVE IN GENERAL OPERATION
- OPENING ANGLE ADJUSTABLE VALVE
- OPEN VALVE IN GENERAL OPERATION

Nr.	Art.nr.	Materials Name	Qty.
1	2015000	OSPA MULTI-LAYER FILTER UNIT 800 ACCORDIG TO DIN 19605 FULLY-AUTOMATIC VERSION AA	2
2	1190300	OSPA CIRCULATION PUMP 24RG 2,2KW	2
3	7534000	OSPA-BLUECONTROL ELECTRONIAL CONTROL UNIT -PUBLIC MAX.14KW, 3 FILTER -2X4KW.PUMP -3ATRAKS	1
4	2751500	OSPA BLUECONTROL -PUBLIC- FOR 2 FILTER PUMP - 0-20MA.EXT.	1
5	6328500	OSPA BLUECONTROL WATER LEVELING SET - FOR COLL TANK 1/2"	1
6	2709000	OSPA BLUECONTROL PILOT INSTALLATION FRONT CONTROL UNIT	1
7	7510200	OSPA BULECONTROL MOTOR PROTECTION MODULE 2x2,2 KW	1
8	7520900	OSPA BLUECONTROL ATTRACTION MODULE 4.00KW.	1
9	0982500	OSPA TANK FOR TEST WATER RETURN -WITH PUMP-	1
10	1450010	OSPA CHLORINE DOSAGE STATION - SOLUTION CALCIYUMHYPOKLORIT- 2.6 L/H. ELECTRONIC MIXER	1
11	6406010	OSPA DOSING STATION PH 2.6l/h PE 4lDx1 MM ELECTRONIC MIXER 120L	2
12	1602010	OSPA DOSING UNIT FOR FLOCCULATION & INJECTOR 0,5 II 3L	1
14	0939000	OSPA INJEKTOR FOR CHLORINE-PH-KH 2.6/2.8	3
15	1403800	OSPA WATER TEST KIT DPD CL-DPD 123, PH, KH, GH	1
16	E05116	E/C HYPOCHLORIT 45kg. (Pool Chemicals)	3
17	E05163	E/FLOCK 30 lt. (Pool Chemicals)	3
18	E05135	E/PH SENKEN 25kg (Pool Chemicals)	8
19	E05152	E/PH HEBEN 10 kg. (Pool Chemicals)	6
20	1573400	OSPA HEAT EXCHANGERS 84DN-65 97.4KW VALVE CONTROL	1
21	1390900	OSPA POOL SUCTION CLEANER SLM 300-II	1
22	1390100	OSPA POOL SUCTION CLEANER TYPE SLP	1

Nr.	Art.nr.	Materials Name	Qty.
23	23933	OSPA FLEXIBEL HOSE 2" (for 13901)	15m
24			
25	13942	OSPA BASKET	1
26	13929	OSPA TELESCOPE HANDLE 2x2,4 (for 13901)	1
27	13937	OSPA HANDLING ROD 2M (for 13942)	1
28	05583	OSPA HYDRAULIC VALVE 50M MM	1
29	E10003	UV-SUNFPM UNDERWATER STEEL PROCEKTOR 300W/12V. (Detail:2)	7
30	E10133	HTK300 POOL PROCEKTOR TRANSFORMATOR IP68 300-400V. (Detail:2)	7
31	282740	OSPA LADDER R4 STEP SEPARATE HAND RAILS (COMPLETE)	2
32	073230	OSPA MANOMETER 0-4 BAR 1/4" V4A	2
33	E01121	E/BOTTOM DRAIN BRONZ 2" AA (See.Drw.nr:6)	1
34	E01301	E/RIGHT FLOOR INLET RP 2 BZ/PVC (See.Drw.nr:5-detail:5)	12
35	057850	OSPA FLOOR INLET CONNECTION UNIT-STEEL- (See.Drw.nr:5-detail:5)	12
36	E01415	E/S- WALL PASSAGE PIPE D20 BZ/PVC 800/200-300 (See.Drw.nr:5-detail:4)	1
37	E01410	E/S-WALL PASSAGE PIPE 2" BZ/PVC 800/200-300 (See.Drw.nr:5-detail:3)	1
38	E01057	E/MEASUREMENT WATER SUCTION MOUTH (See.Drw.nr:5-detail:4)	1
39	13958	OSPA POOL VACUUM CONNECTION RP 2 (See.Drw.nr:5-detail:3)	1
40	E01511	E/CHANNEL DRAIN PE-HD-DN 70 (See.Drw.nr:5-detail:1)	17
41	E01160	E/ STRAINER FOR CHANNEL DRAIN 100X100 (See.Drw.nr:5-detail:1)	17
42	E01615	E/WALL PIPE UNIT DN 65 SMOOTH PVC (See.Drw.nr:6)	2
43	E01635	E/WALL PIPE UNIT DN 150 SMOOTH PVC (See.Drw:6)	2
44	E08005	EWATER LEVEL REGULATOR PIPE D50 TRANSPARENT (See.Drw.nr:6)	1
45	E01610	EWALL PIPE DN60/ RESERVE TANK OVERFLOW	1

This drawing may not be used by third persons or project firms without permission and it may not be reused. Only OSPA-ERKOC may change or correct the drawing

**Erkoç Ltd.** ERKOC MIMARLIK MUH. LTD.  
 Cenap Sahabettin Cd.No:69 Kosuyolu-Istanbul  
 www.erkoc.net Tel:0216 3269515-3268760 Fax:0216 4288016

**OSPA**  
 Mehr Spaß am Schwimmen

ENKA- DUSANBE/HR HOTEL SWIMMING POOL PROJECT

FLOW DIAGRAM & ELECTRICAL CONNECTION SCHEMA

Drw.nr:8 | Work nr:T06095-H | Scale: 1/-- | Date:28.09.2006